

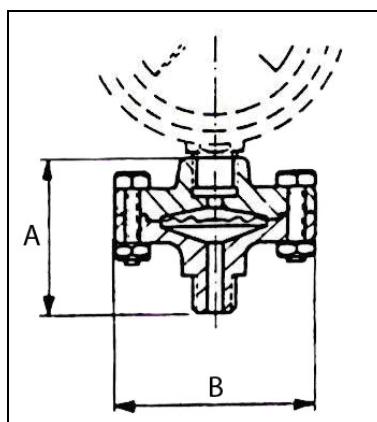
PVC & PP diaphragm seals



Suitable for process fluids compatibles with PVC and Polypropilene. This model is not detachable to clean, although repairable. Two versions available: process and connection instrument 1/4" and 1/2" BSP-M.

Technical data:

Body:	Boths in PVC or Polypropilene.
Seals:	PTFE.
Diaphragm:	Stainless steel AISI 316L . Width 0,1 mm., PTFE coated.
Process conn.:	1/2" or 1/4" BSP-Male.
Accuracy:	at 20°C, add $\pm 0,5 \div 1,0\%$ to the instrument accuracy.
Ranges:	From 0...4 bar up to 0...25 bar.
Temperature service:	Maximum 60°C.
Dimensions:	See drawing.



	A	B
Gauges DN100	76	98
Gauges DN63	76	80