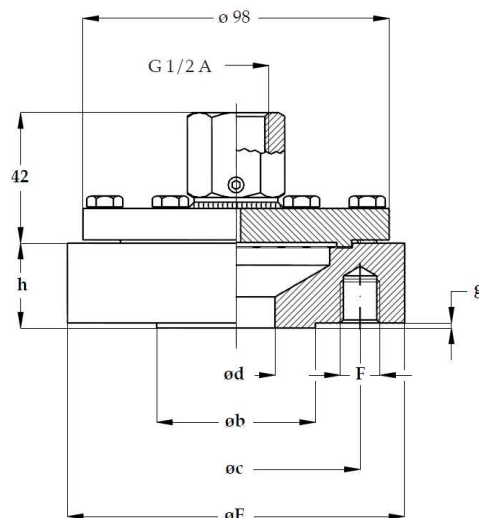


DIN flanged d. seal



Technical data:

Body:	Both upper and lower body in stainless steel AISI 304. Wetted parts PTFE coated upon request.
Seals:	PTFE.
Diaphragm:	Stainless steel AISI 316L. Width 0,1 mm. (PTFE coated upon request).
Process connection:	4 holes, depending on the flange size.
Accuracy:	at 20°C, add $\pm 0,5 \div 1,0\%$ to the instrument accuracy.
Ranges:	From 0...1 bar up to 0...40 bar.
Temperature service:	Maximum 90°C.



Dimensions in mm

DN	PN	h	E	b	d	g	c	F	N
15	16...40	27	95	45	15	2	65	M12	4
25	16...40	27	115	68	25	2	85	M12	4
40	16...40	27	150	88	40	3	110	M16	4
50	16...40	27	165	102	50	3	125	M16	4

Note: Other diameters or ASME Norm also available upon request.