

Ordinary type manometers



General purpose pressure gauges. Suitable for non-corrosive process fluids such as air, water, etc. Maximum operating temperature 60°C. Different mounting and connections available. Not suitable for outdoors service. To measure viscous process fluids see diaphragm seals [SE](#). To measure aggressive process fluids and corrosive environments see stainless steel pressure gauges [MIN](#).

Technical data:

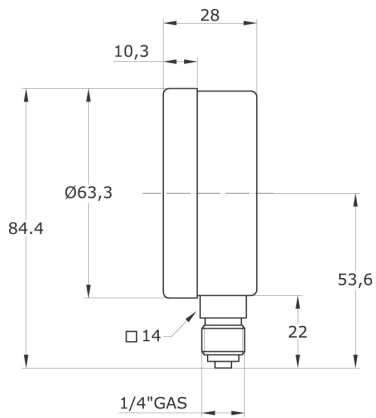
Nominal size:	63 mm. / 80 mm. / 100 mm. / 200 mm. / 250 mm.
Case:	Black painted steel case and bezel. Protection degree IP43.
Wetted parts:	Bourdon tube in copper alloy (CuSn8), brass connection port.
Movement:	Brass.
Dial:	Aluminium, white. Black figures.
Pointer:	Aluminium, black.
Window:	Acrylic. (glass upon request).
Process conn.:	Thread 1/4"BSP-M for Ø 63 mm. Thread 1/2"BSP-M for the rest of diameters
Temp. service:	(other threads upon request).
Accuracy:	-25°C...+65°C. ±1,6% f.s. according to EN 837-1.

Ranges in bar

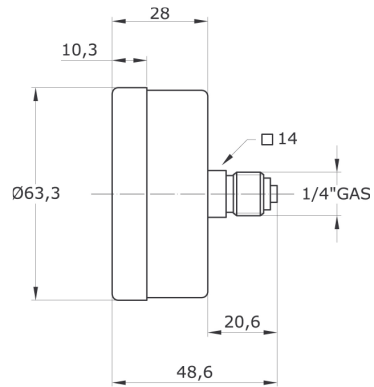
0...0,6	0...1	0...1,6	0...2,5	0...4
0...6	0...10	0...16	0...25	0...40
0...60	0...100	0...160	0...250	0...400
0...600	0...1000	-1...0	-1+1,5	-1+3
-1+5	-1+9			

Dimensions MSC DN63 in mm

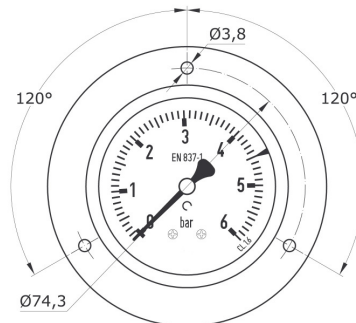
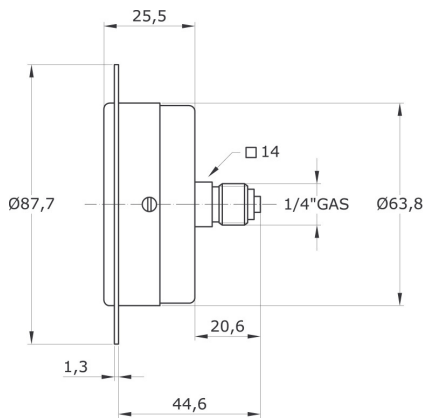
Direct mounting ("D" type)



Back mounting ("F" type)



Front flange for flush mounting ("B" type)

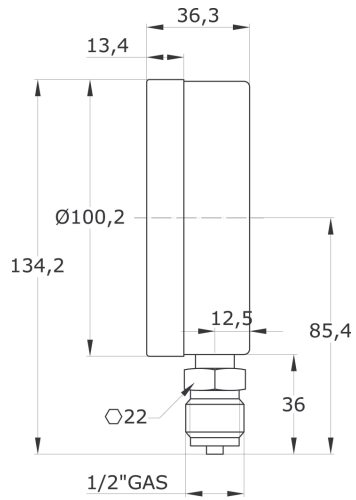


Weight in kg

Type	MSC 63 "D"	MSC 63 "F"	MSC 63 "J"	MSC 63 "B"
Weight	0,113	0,113	----	0,145

Dimensions MSC DN100 in mm

Direct mounting ("D" type)



Weight in kg

Type	MSC 100 "D"	MSC 100 "F"	MSC 100 "J"	MSC 100 "B"
Weight	0,331	----	----	----