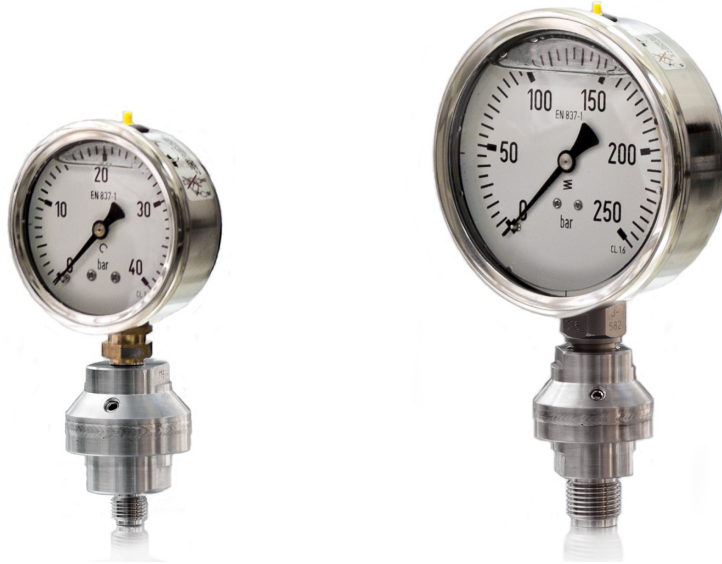


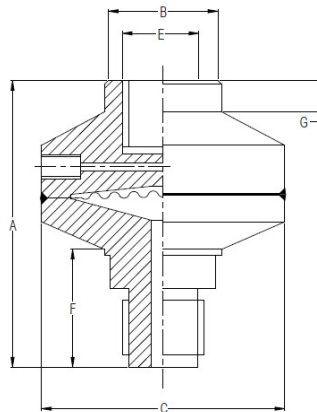
Diaphragm seal 67AP



Rugged model, designed for working pressures up to 400 bar. Standard version fully in stainless steel). Suitable for instruments with 1/2" and 1/4" connection.

Technical data:

Body:	Stainless steel AISI316L.
Diaphragm:	Stainless steel AISI 316L., welded. Width 0,1 mm.
Process connection:	1/4" BSP or 1/2" BSP-Male.
Accuracy:	at 20°C, add $\pm 0,5 \div 1,0\%$ to the instrument accuracy.
Ranges:	From 0...100 bar up to 0...400 bar.
Temperature service:	Maximum 90°C.
Dimensions:	See drawing.



A	B	C	E	F	G	Approx. Wt.#
68.5	30	53	1/2" - 1/4"	35	8	600.0