

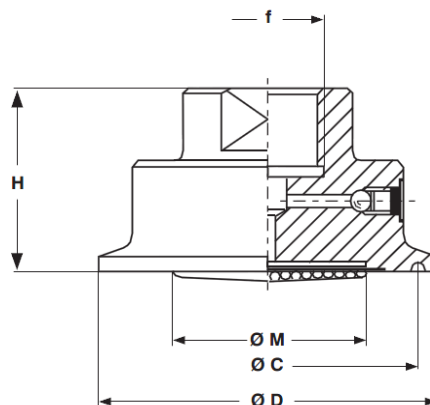
Clamp ISO 2852 d. seal



Process connection by means of a clamp bracket, allows a very fast removing in cases of frequently cleaning, usual in foodstuff industry. TRI-CLAMP type according to ISO2852. 1", 1 1/2" and 2".

Technical data:

Body:	Stainless steel AISI 316L.
Diaphragm:	Stainless steel AISI 316L, welded.
Accuracy:	at 20°C, add $\pm 0,5 \div 1,0\%$ to the instrument connection.
Ranges:	From 0...2,5 bar up to 0...40 bar (depending on the DN).
Temperature service:	Maximum 80°C.
Available sizes:	1" (DN25), 1 1/2" (DN40) and 2" (DN50), according to ISO 2852.
Instrument connection:	1/4" BSP-Female and 1/2" BSP-Female.



Dimensions in mm

DN Clamp	C	H	D	f	M
1"	43,5	30	50,5	¼" ½" H	20
1 ½"	43,5	35	50,5	¼" ½" H	30
2	56,5	35	64	¼" ½" H	40
2 ½"	70,5	35	77,5	¼" ½" H	50
3"	83,5	35	91	¼" ½" H	65

Available ranges in bar

Ø manometers	1" Clamp	1 ½" Clamp	2" Clamp	2 ½" Clamp	3" Clamp
63	0...6 / 40	0...2,5 / 40	---	---	---
100	---	0...2,5 / 40	0...1 / 40	0...1 / 25	0...1 / 25
160	---	0...4 / 40	0...2,5 / 40	0...1 / 25	0...1 / 25

Note: upon request also available vacuum and compound gauges.