

Small sized manometers



Technical data:

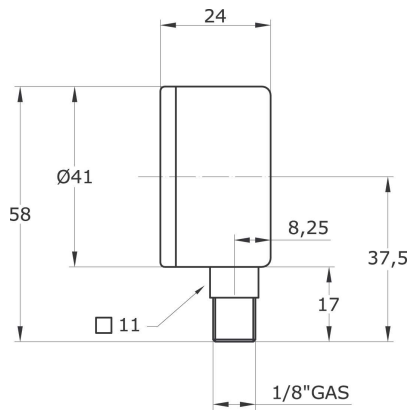
Nominal size:	43 mm. / 53 mm.
Case:	Black painted steel case and bezel (st. steel upon request). Protection degree IP32.
Wetted parts:	Bourdon tube in copper alloy, brass connection port.
Movement:	Brass.
Dial:	Aluminium, white. Double scale bar (Black) and psi (red).
Pointer:	Aluminium, black.
Accuracy:	±2,5% value final scale.
Window:	Acrylic. (glass upon request).
Process conn.:	1/8" - 1/4" BSP-Male.

Ranges in bar/psi

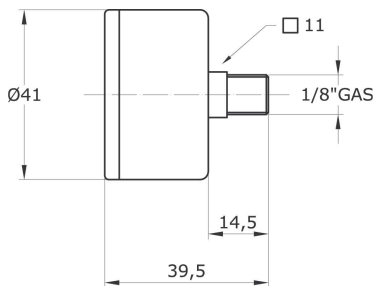
0...1	0...1,6	0...2,5	0...4	0...6
0...10	0...16	0...25		

Dimensions RN DN43 en mm

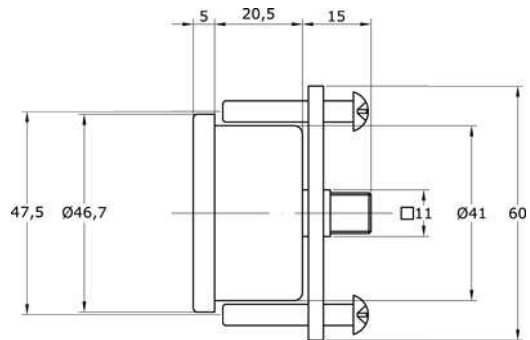
Direct mounting ("D" type)



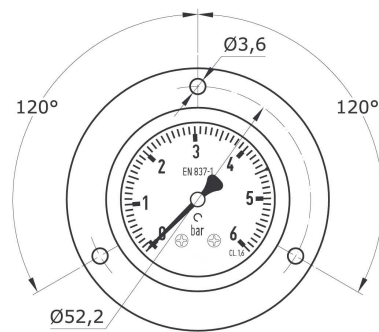
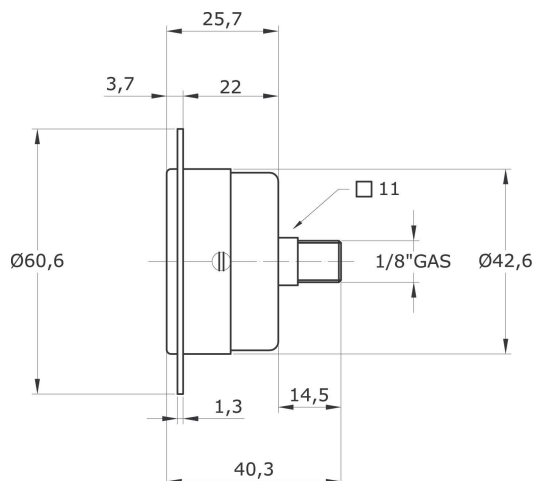
Back mounting ("F" type)



Mounting bracket for flush mounting ("J" type)



Front flange for flush mounting ("B" type)

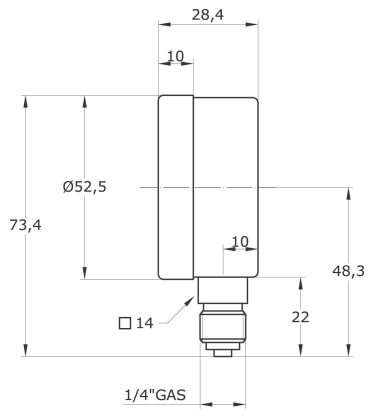


Weight in kg

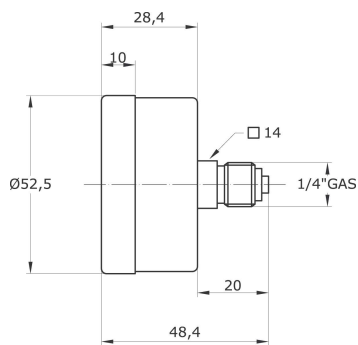
Type	RN 43 "D"	RN 43 "F"	RN 43 "J"	RN 42 "B"
Weight	0,050	0,053	0,080	0,071

Dimensions RN DN53 in mm

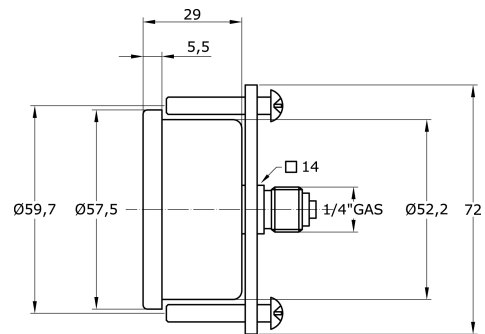
Direct mounting ("D" type)



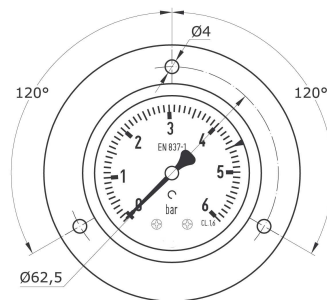
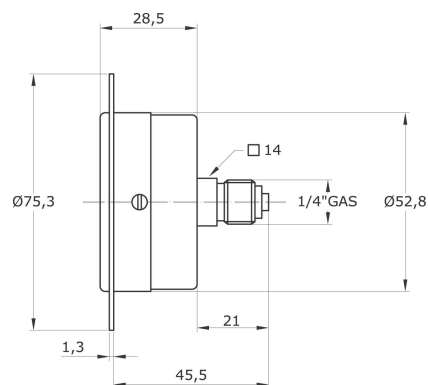
Back mounting ("F" type)



Mounting bracket for flush mounting ("J" type)



Front flange for flush mounting ("B" type)



Weight in kg

Type	RN 53 "D"	RN 53 "F"	RN 53 "J"	RN 53 "B"
Weight	0,091	0,096	0,140	0,117