

## Square cased manometers



Classical manometer enclosed in a square case for flush mounting. Also available with 72x144 and 96x192 mm. enclosures, either vertical and horizontal position

### Technical data

<b>Dimensions:</b>	72x72 mm. / 96x96 mm. / 144x144 mm. (upon request 192x192 mm).
<b>Case:</b>	Flush mounting. Noryl reinforced with fiber glass acc./DIN 43700. Protection degree IP45.
<b>Wetted parts:</b>	Stainless steel AISI 316L.
<b>Pointer:</b>	Aluminium, black.
<b>Window:</b>	Mineral glass 2 mm.
<b>Connection:</b>	1/2" Male BSP or NPT (1/4" for 72x72 mm).
<b>Accuracy:</b>	±1,0% value final scale (±1,6% for 72x72 mm).

### Ranges in mbar

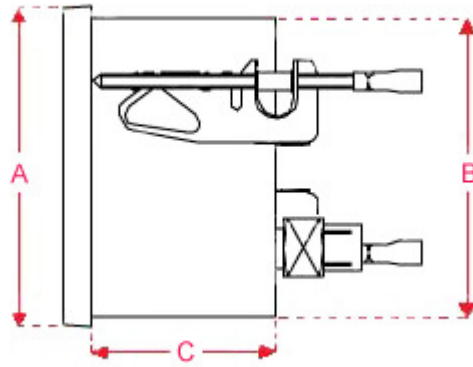
0...25	0...40	0...60	0...100	0...160
0...250	0...400	0...600		

### Ranges in bar

0...1	0...1,6	0...2,5	0...4	0...6
0...10	0...16	0...25	0...40	0...60
0...100	0...160	0...250	0...400	0...600

## Dimensions

---



(in mm)	<b>A</b>	<b>B</b>	<b>C</b>
<b>72x72</b>	72	65,5	55
<b>96x96</b>	96	90	55
<b>144x144</b>	144	136	54,5