

Stainless steel manometers



Specially designed for food industry, pharmaceutical, chemical industry, etc. Built up to endure extreme work conditions, corrosive environments and process fluids. Oil filled recommended when vibrations or pulsations exists. Available ranges up to 7000 bar.

Technical data:

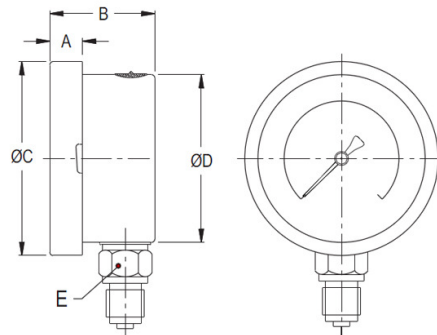
Nominal size:	63 mm. / 100 mm. / 160 mm. / 250 mm.
Case:	Stainless steel AISI 304, bayoneta bezel. Protection degree IP65. Oil filling recommended where vibrations or repeated pulsations exist.
Wetted parts:	Stainless steel AISI 316 1.4571.
Movement:	Reinforced type st. st. AISI 316.
Dial:	Aluminium, white. Black figures.
Pointer:	Aluminium, Black. Regulation pointer screw for DN100 & DN160.
Window:	Safety glass. (acrylic upon request).
Process conn.:	1/4"BSP-M for 63 mm. 1/2"BSP or NPT-M for 100 & 160 mm. M16x1,5-H from 4000 bar onwards.
Temp. service:	-40°C...+150°C for DN63, -40°C...+300°C for DN100.
Accuracy:	±1,6% f.s. for 63 mm. ; ±1,0% f.s. for 100 & 160 mm. (0,6% f.s. upon request) according to EN 837-1.

Ranges in bar

0...0,6	0...1	0...1,6	0...2,5	0...4
0...6	0...10	0...16	0...25	0...40
0...60	0...100	0...160	0...250	0...400
0...600	0...1000	0...1600	0...2500	0-4000
0...7000	-1...0	-1+1,5	-1+3	-1+5
-1+9	-1+15	-1+24		

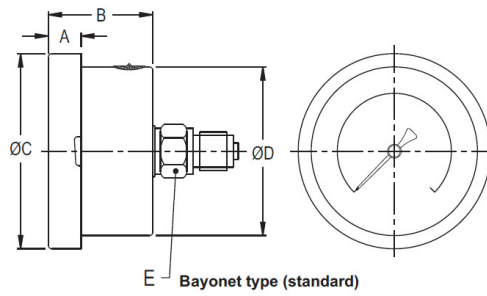
Dimensions MIN DN63 en mm

Direct mounting ("D" type)



NS	A	B	ØC	ØD	E	Weight in gram (With Box)	Weight in gram (With Glycerin & Box)
63	10	32	69.5	62.5	A/F 14	180.0	240.0

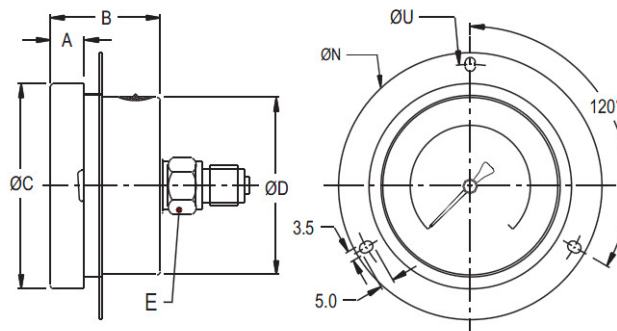
Back mounting ("F" type)



E Bayonet type (standard)

NS	A	B	ØC	ØD	E	Weight in gram (With Box)	Weight in gram (With Glycerin & Box)
63	10	32	69.5	62.5	A/F 14	188.0	250.0

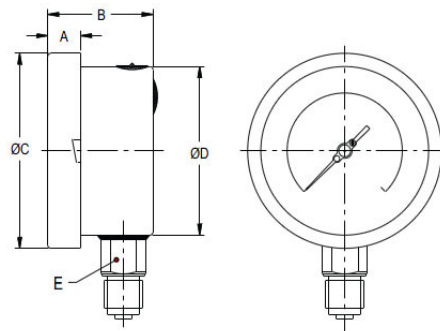
Front flange for flush mounting ("B" type)



NS	A	B	ØC	ØD	E	ØN	ØU	Weight in gram (With Box)	Weight in gram (With Glycerin & Box)
63	10	32	69.5	62.5	A/F 14	86	75	213.0	275.0

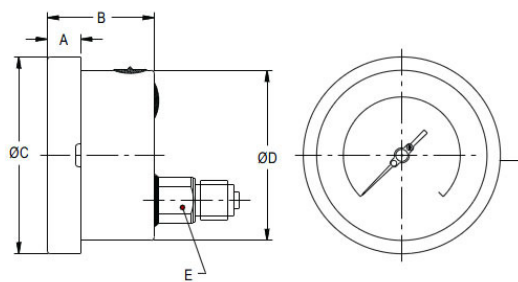
Dimensions MIN DN100 in mm

Montaje vertical (tipo "D")



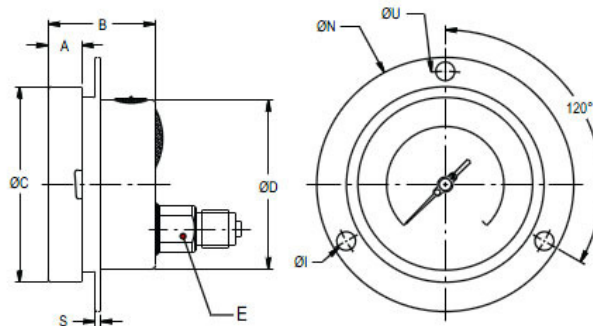
NS	A	B	ØC	ØD	E	Weight in gram (With Box)	Weight in gram (With Glycerin & Box)
100	12.5	47	111	100	22	640.0	935.0
150	15	49	161	149	22	1020.0	1755.0

Montaje posterior (tipo "F")



NS	A	B	ØC	ØD	E	Weight in gram (With Box)	Weight in gram (With Glycerin & Box)
100	12.5	47	111	100	22	640.0	935.0

Montaje a panel mediante borde frontal 3 taladros (tipo "B")



NS	A	B	ØC	ØD	E	S	ØI	ØN	ØU	Weight in gram (With Box)	Weight in gram (With Glycerin & Box)
100	12.5	45	111	100	22	1	6	134	118	695.0	990.0