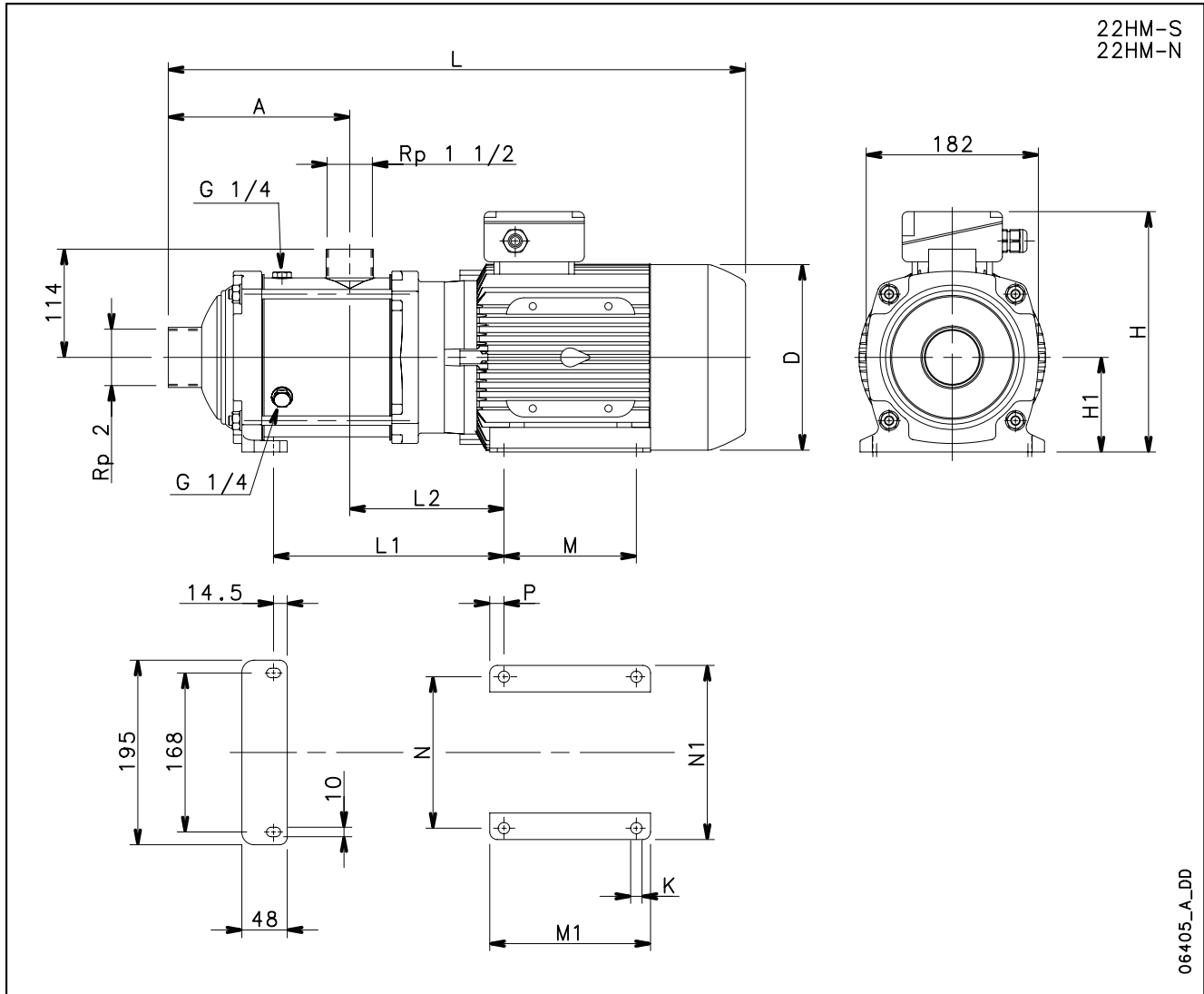


22HM..S - 22HM..N SERIES DIMENSIONS AND WEIGHTS AT 50 HZ, 2 POLES



06405_A_DD

| PUMP TYPE | VERSION | DIMENSIONS (mm) | | | | | | | | | | | | | | | WEIGHT kg | |
|-----------|--------------|-----------------|------|-----|-----|-----|----|-----|-----|-----|-----|-----|-----|-----|------|----|-----------|----|
| | | MOTOR kW | SIZE | A | D | H | H1 | L | L1 | L2 | M | M1 | N | N1 | P | K | | PN |
| 22HM02 | SINGLE-PHASE | 2,2 | 90 | 144 | 174 | 249 | 90 | 534 | 176 | 144 | 125 | 150 | 140 | 164 | 12,5 | 10 | 10 | 26 |
| | | | | | | | | | | | | | | | | | | |
| | | | | | | | | | | | | | | | | | | |

| | | | | | | | | | | | | | | | | | | |
|--------|-------------|-----|-----|-----|-----|-----|-----|-----|-----|-----|-----|-----|-----|-----|------|----|----|----|
| 22HM02 | THREE-PHASE | 2,2 | 90 | 144 | 174 | 224 | 90 | 534 | 176 | 144 | 125 | 150 | 140 | 164 | 12,5 | 10 | 10 | 23 |
| 22HM03 | | 3 | 90 | 144 | 174 | 224 | 90 | 534 | 176 | 144 | 125 | 150 | 140 | 164 | 12,5 | 10 | 10 | 26 |
| 22HM04 | | 4 | 100 | 192 | 197 | 254 | 100 | 611 | 244 | 163 | 140 | 170 | 160 | 184 | 15 | 12 | 10 | 33 |
| 22HM05 | | 5,5 | 112 | 240 | 214 | 280 | 112 | 693 | 299 | 170 | 140 | 170 | 190 | 219 | 15 | 12 | 10 | 42 |
| | | | | | | | | | | | | | | | | | | |
| | | | | | | | | | | | | | | | | | | |

22hm-s-n-2p50-en_a_td