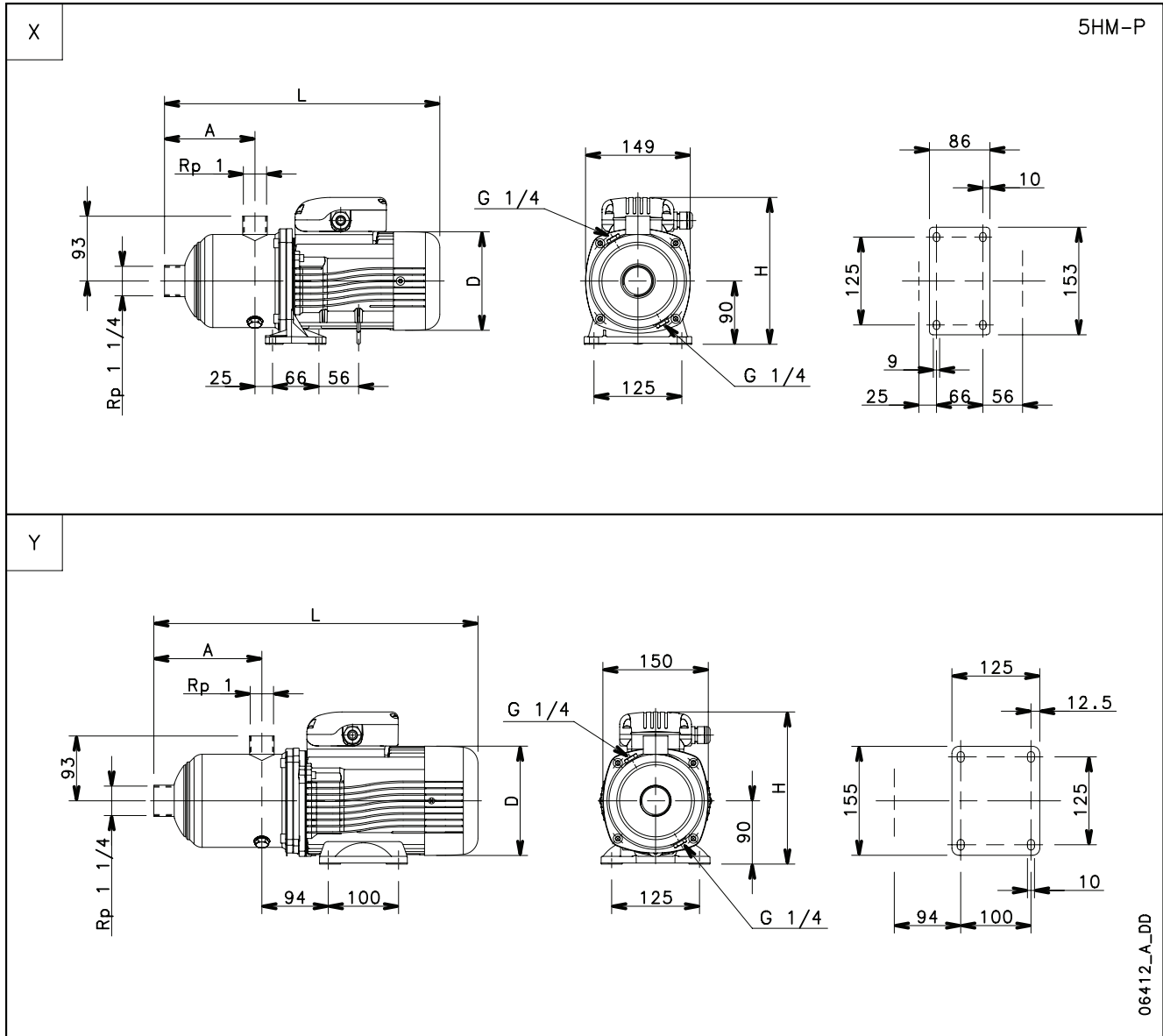


5HM..P SERIES DIMENSIONS AND WEIGHTS AT 50 HZ, 2 POLES



06412_A_DD

PUMP TYPE	VERSION	DIMENSIONS (mm)								
		Ref.	MOTOR		A	D	H	L	PN	WEIGHT kg
			kW	SIZE						
5HM02	SINGLE-PHASE	X	0,50	63	89	120	201	338	10	7
5HM03			0,50	63	89	120	201	338	10	7
5HM04			0,75	71	109	140	211	372	10	10
5HM05			0,95	71	129	140	220	392	10	11
5HM06		Y	1,1	80	149	155	227	457	10	14
5HM02	THREE-PHASE	X	0,40	63	89	120	201	338	10	6
5HM03			0,50	63	89	120	201	338	10	7
5HM04		Y	1,1	80	109	155	219	417	10	13
5HM05			1,1	80	129	155	219	437	10	14
5HM06			1,5	80	149	155	219	457	10	15

5hm-p-2p50-en_a_td