



January 2019

## ***AC - Series***

Submersible pumps in stainless steel A304 for open wells



### Applications

- Multi-stage submersible pumps for open wells and clean water.
- Irrigation, decanting, hydropneumatic sets, domestic and industrial supply, agricultural, sprinkler and drip irrigation.

### Construction characteristics

- External casing tube, motor jacket, impellers, diffusers, mechanical seal support, filter and discharge body made of AISI304 stainless steel.
- Lower and upper supports in copper casting.
- Pump shaft made of stainless steel AISI304.
- Intermediate chamber with non-toxic oil.
- Double mechanical seal of Carbide Silicon / Silicon Carbide / NBR.
- Maximum immersion: 20mts.
- Maximum water temperature: 35°C.
- Cable H07RN-F 4x1.5mm<sup>2</sup> x 15mts.
- Single-phase versions with schuko plug, capacitor-holder box and thermal protector for 1.5KW motor.



### Motor

- Asynchronous, 2 poles, IP68.
- Class F insulation, continuous service.
- Water cooled motor
- Voltage: Single phase 1x230V ± 10% / Three phase 3x400V ± 10%

### Selection Table

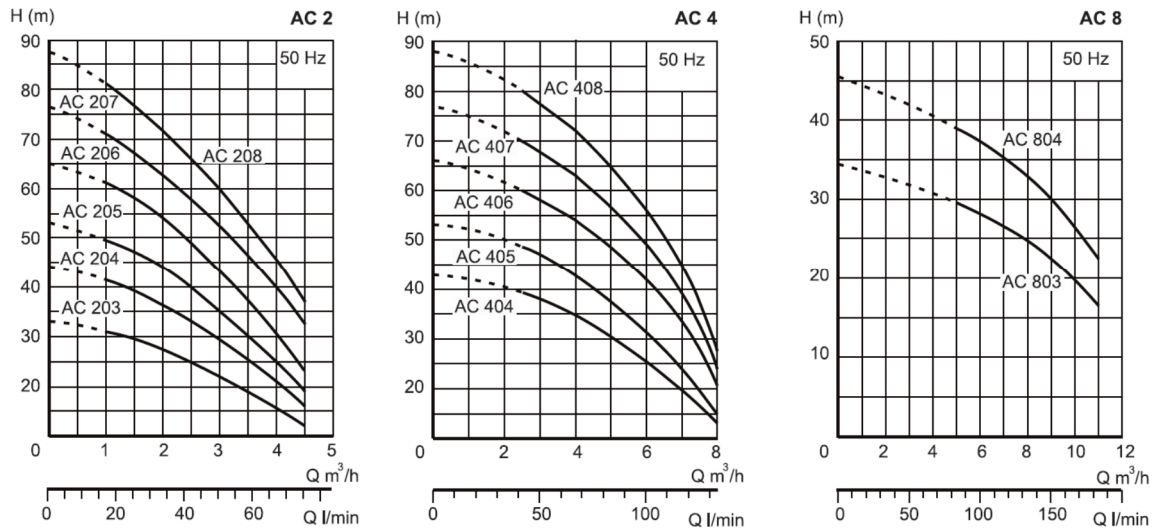
Model	I (A)		Capac. µf	Power (P <sub>2</sub> )		m <sup>3</sup> /h l/min	0,0	1,0	1,5	2,0	2,5	3,0	3,5	4,0	4,5
	1x230V	3x400V		KW	HP		0,0	16,6	25,0	33,3	41,6	50,0	58,3	66,6	75,0
AC 203 (M-MA-T)	3,5	1,4	20	0,37	0,5	(H) mca	33	31	29,5	27,5	25	22	19	16	12
AC 204 (M-MA-T)	4,1	1,6	20	0,55	0,75		44	41,5	39,5	36,5	33,5	29,5	25,5	21	16
AC 205 (M-MA-T)	5	1,9	20	0,75	1		53	49,5	47	44	40	35	30	25	19
AC 206 (M-MA-T)	6	2,2	25	0,9	1,2		65	61	58	54	49	43	37	30,5	23
AC 207 (M-MA-T)	6,3	2,45	30	0,9	1,2		76,5	71	67,5	62,5	57,5	52,5	46	40	32,5
AC 208 (M-MA-T)	7,2	2,75	30	1,1	1,5		87,5	81	77	71,5	66	60	52,5	46	37

Model	I (A)		Capac. µf	Power (P <sub>2</sub> )		m <sup>3</sup> /h l/min	0,0	2,5	3,0	3,5	4,0	5,0	6,0	7,0	8,0
	1x230V	3x400V		KW	HP		0,0	41,6	50,0	58,3	66,6	83,3	100,0	116,0	133,0
AC 404 (M-MA-T)	6	2,2	25	0,9	1,2	(H) mca	43	39	38	36,5	35	30	25,5	19,5	13
AC 405 (M-MA-T)	7	2,6	25	1,1	1,5		53	48	46,5	45	43	37,5	32	24	15
AC 406 (M-MA-T)	7,6	2,8	30	1,1	1,5		66	60	58	56	54	49	42	34	20,5
AC 407 (M-MA-T)	9,5	3,3	35	1,5	2		77	70	68	65,5	63	57	49	39,5	24
AC 408 (M-MA-T)	10,5	3,8	35	1,5	2		88	80	77,5	75	72	65	56	45	27,5

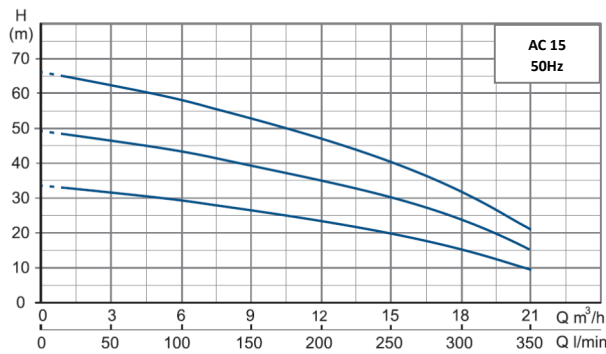
Model	I (A)		Capac. µf	Power (P <sub>2</sub> )		m <sup>3</sup> /h l/min	0,0	5,0	6,0	7,0	8,0	9,0	10,0	11,0	12,0
	1x230V	3x400V		KW	HP		0,0	83,3	100,0	116,0	133,0	150,0	166,0	183,0	200,0
AC 803 (M-MA-T)	7	2,6	25	1,1	1,5	(H) mca	34,5	29,5	28	26,5	24,5	22,5	20	16,5	13
AC 804 (M-MA-T)	10	3,8	35	1,5	2		45,5	39	37	35	32,5	30	26,5	22,5	19

Model	I (A)		Capac. µf	Power (P <sub>2</sub> )		m <sup>3</sup> /h l/min	0,0	3,0	6,0	9,0	10,0	12,0	15,0	18,0	21,0
	1x230V	3x400V		KW	HP		0,0	50,0	100,0	150,0	167,0	200,0	250,0	300,0	350,0
AC 1502 (M-T)	10	3,8	35	1,5	2	(H) mca	33	31	29	26	25	23	20	15	9
AC 1503 (M-T)	14	5,5	50	2,2	3		49	46	43	39	38	35	30	24	15
AC 1504 (T)		7,2		3	4		66	62	58	53	51	47	41	32	21

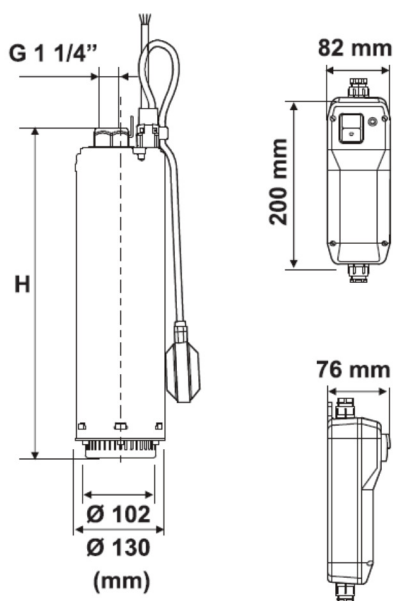
**Hydraulic curves AC 2-4-8 at 2900rpm 50Hz**



**Hydraulic curves AC 15 at 2900rpm 50Hz**



**Dimensions and Weights**



Model	H (mm)	Weight (Kg)		
		M	MA	T
AC 203 (M-MA-T)	410	13	14	12,4
AC 204 (M-MA-T)	434	14	14	12,8
AC 205 (M-MA-T)	458	16	16	14,7
AC 206 (M-MA-T)	506	17	18	16,0
AC 207 (M-MA-T)	530	18	18	16,5
AC 208 (M-MA-T)	554	19	20	17,8
AC 404 (M-MA-T)	458	16	17	15,0
AC 405 (M-MA-T)	482	18	18	16,3
AC 406 (M-MA-T)	506	18	19	16,8
AC 407 (M-MA-T)	554	21	21	18,9
AC 408 (M-MA-T)	578	22	22	19,4
AC 803 (M-MA-T)	453	17	18	15,8
AC 804 (M-MA-T)	506	19	19	16,6
AC 1502 (M-T)	578	27,5		27,5
AC 1503 (M-T)	639	29,5		29,5
AC 1504 (T)	708			33,0



---

# ***AC - SERIES***

---

**Submersible pumps in stainless steel A304 for open wells**



**PUMPALIA - BOMBES D'AIGUA I ACCESSORIS, SL**

Pol. Ind. Pont-Xetmar – C/ F, 24

17844 Cornellà del Terri (Catalonia, Spain)

Telf.: +0034 972 596 685

Contact: [gestio@pumpalia.com](mailto:gestio@pumpalia.com) – <https://www.pumpalia.com>