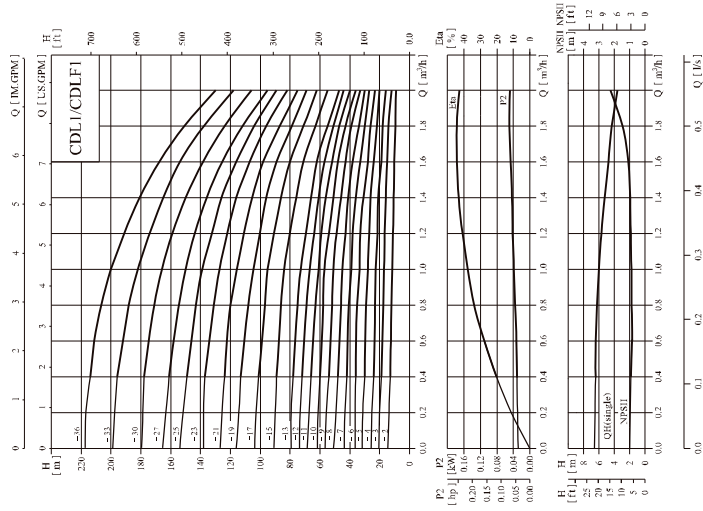
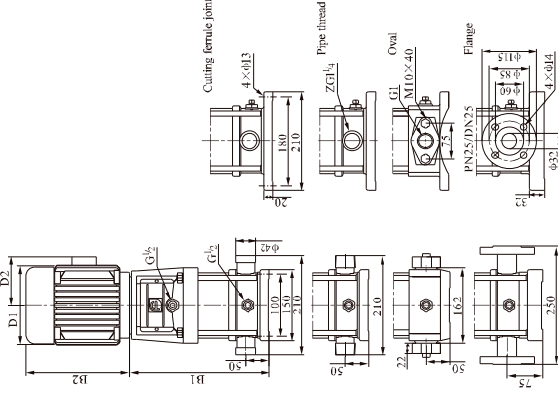


Performance curve ISO9906 Annex A 2900rpm



Installation sketch



CDL1-25 - 1-36 sub-connection of pipeline has no oval flange connection. The overall dimensions of the single-phase motor and explosion-proof motor are a little different. Pls contact us for details.

Performance table

Model	Driving motor		Q <sub>0</sub> (m <sup>3</sup> /h)	H (m)													
	(kW)	(hp)		0.4	0.6	0.8	1.0	1.2	1.4	1.6	1.8	2.0					
CDL1-2	0.37	0.5	13	12.5	12	11.5	11	10.5	10	9.5	9						
CDL1-3	0.37	0.5	19	18	17.5	17	16.5	16	15	14	12						
CDL1-4	0.37	0.5	24	23.5	23	22.5	21.5	21	19	18	16						
CDL1-5	0.37	0.5	30	29.6	29	28	27	26	24	22	20						
CDL1-6	0.37	0.5	36	35.5	35	33.5	33	31	28	26	23						
CDL1-7	0.37	0.5	42	41	40.5	39	38	36	33	30	27						
CDL1-8	0.55	0.75	48	47	46	45	43	41	38	34	30						
CDL1-9	0.55	0.75	54	53	52	51	49	46	43	39	33						
CDL1-10	0.55	0.75	60	59	58	57	54	51	48	43	36						
CDL1-11	0.55	0.75	66	65	63	61	59	56	52	47	40						
CDL1-12	0.75	1	72	71	69	67	64	61	57	51	44						
CDL1-13	0.75	1	78	77	75	73	69	66	62	55	47						
CDL1-15	0.75	1	89	88	86	84	79	76	71	63	55						
CDL1-17	1.1	1.5	101	99	97	95	89	86	80	71	62						
CDL1-19	1.1	1.5	113	110	108	106	99	96	89	79	69						
CDL1-21	1.1	1.5	124	122	120	117	110	106	98	87	75						
CDL1-23	1.1	1.5	137	133	131	128	121	116	107	96	82						
CDL1-25	1.5	2	149	145	143	139	131	126	116	104	89						
CDL1-27	1.5	2	161	157	155	150	141	136	125	112	95						
CDL1-30	1.5	2	178	175	171	166	157	150	139	124	106						
CDL1-33	2.2	3	196	192	188	183	173	165	154	137	118						
CDL1-36	2.2	3	214	210	205	200	190	181	169	151	130						

Size and weight

Model	Size (mm)				Weight (kg)
	B1	B2	B1+B2	D1 D2	
CDL1-2	258	225	483	148 117	20
CDL1-3	276	225	501	148 117	20
CDL1-4	294	235	519	148 117	21
CDL1-5	312	235	537	148 117	21
CDL1-6	330	225	555	148 117	22
CDL1-7	348	225	573	148 117	23
CDL1-8	366	225	591	148 117	24
CDL1-9	384	225	609	148 117	25
CDL1-10	402	225	627	148 117	26
CDL1-11	420	225	645	148 117	26
CDL1-12	420	225	645	170 142	29
CDL1-13	466	245	711	170 142	30
CDL1-15	502	245	747	170 142	31
CDL1-17	538	245	783	170 142	33
CDL1-19	574	245	819	170 142	34
CDL1-21	610	245	855	170 142	35
CDL1-23	646	245	891	170 142	36
CDL1-25	692	290	982	190 155	42
CDL1-27	728	290	1018	190 155	43
CDL1-30	782	290	1072	190 155	45
CDL1-33	836	290	1126	190 155	49
CDL1-36	890	290	1180	190 155	51