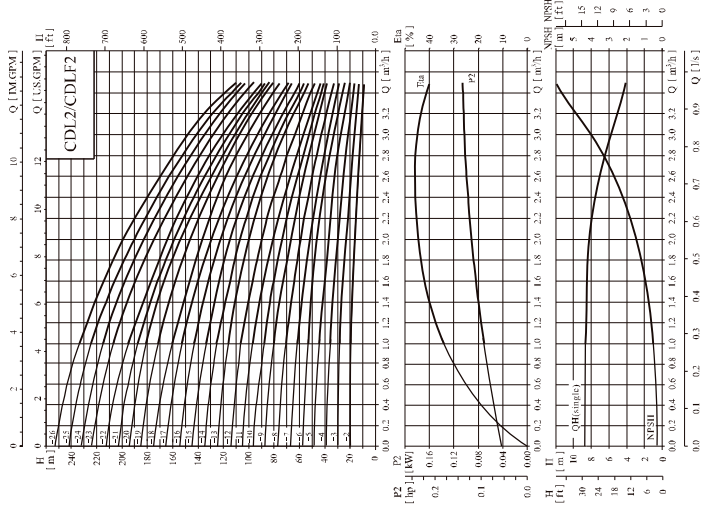
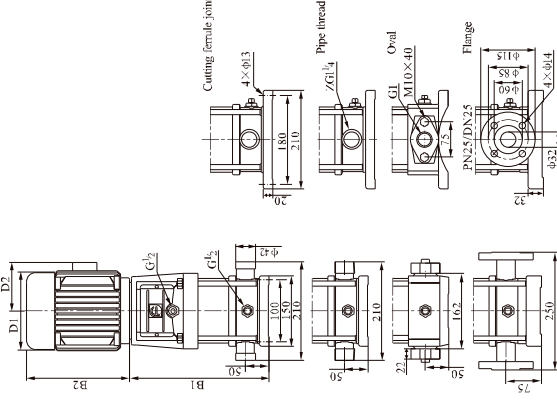


# CDL, CDLF2

## Performance curve ISO9906 Annex A 2900rpm



### Installation sketch



CDL2-18/-26 sub-connection of pipeline has no oval flange connection.  
The overall dimensions of the single-phase motor and explosion-proof motor are a little different.  
Pls contact us for details.

### Performance table

Model	Driving motor		Q (m³/h)	1	1.2	1.6	2.0	2.4	2.8	3.2	3.5
	(kW)	(hp)									
CDL2-2	0.37	0.5	18	17	16	15	13	12	10	8	8
CDL2-3	0.37	0.5	27	26	24	22	20	18	15	12	12
CDL2-4	0.55	0.75	36	35	33	30	26	24	20	16	16
CDL2-5	0.55	0.75	45	43	40	37	33	30	24	20	20
CDL2-6	0.75	1	53	52	50	45	40	36	30	24	24
CDL2-7	0.75	1	63	61	57	52	47	41	35	28	28
CDL2-9	1.1	1.5	80	78	73	67	61	54	45	37	37
CDL2-11	1.1	1.5	98	95	89	82	73	64	54	44	44
CDL2-13	1.5	2	116	114	106	98	89	78	65	52	52
CDL2-15	1.5	2	134	130	123	112	100	90	73	60	60
CDL2-18	2.2	3	161	157	148	136	121	108	91	76	76
CDL2-22	2.2	3	197	192	180	165	148	130	110	90	90
CDL2-26	3.0	4	232	228	214	198	179	158	130	110	110

### Size and weight

Model	Size(mm)				Weight (kg)
	B1	B2	B1+B2	D2	
CDL2-2	258	225	483	117	20
CDL2-3	276	225	501	148	20
CDL2-4	284	235	519	148	22
CDL2-5	312	235	547	148	23
CDL2-6	340	245	585	170	26
CDL2-7	358	245	603	170	28
CDL2-9	384	245	629	170	28
CDL2-11	430	245	675	170	29
CDL2-13	476	290	766	190	35
CDL2-15	512	290	802	190	36
CDL2-18	566	290	856	190	41
CDL2-22	638	290	928	190	42
CDL2-26	720	345	1035	197	52