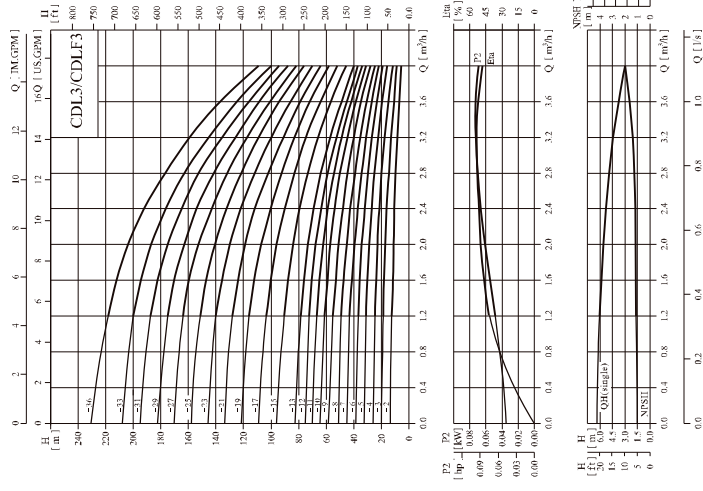
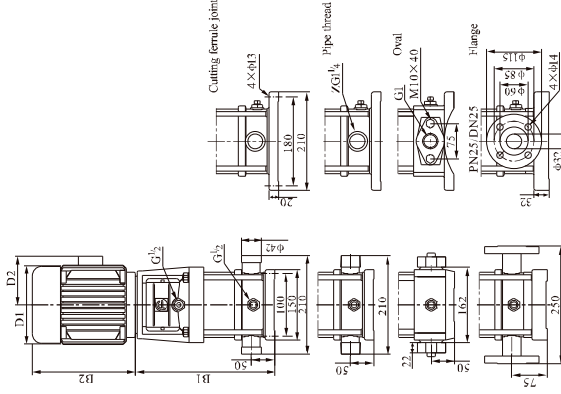


Performance curve ISO9906 Annex A 2900rpm



Installation sketch



CDL3-25/-3-26 sub-connection of pipeline has no oval flange connection. The overall dimensions of the single-phase motor and explosion-proof motor are a little different. Pls contact us for details.

Performance table

Model	Driving motor		Q <sub>0</sub> (m³/h)	H (m)											
	(kW)	(hp)		1.2	1.6	2.0	2.4	2.8	3.0	3.2	3.6	4.0			
CDL3-2	0.37	0.5	12.5	11.5	11	10.5	10	9.5	9	8	7	6			
CDL3-3	0.37	0.5	19	18.5	17.5	16.5	15	14	13	11	10	9			
CDL3-4	0.37	0.5	23	24	23	21.5	20	19	18	15	14	13			
CDL3-5	0.37	0.5	31	30	29	27	25	23	22	19	18	16			
CDL3-6	0.55	0.75	36	35	34	32	30	28	27	23	22	19			
CDL3-7	0.55	0.75	43	41	39	37	34	32	31	27	26	22			
CDL3-8	0.75	1	49	47	45	43	39	37	35	31	30	25			
CDL3-9	0.75	1	55	53	51	48	45	42	40	35	34	28			
CDL3-10	0.75	1	61	59	57	54	50	47	45	39	38	31			
CDL3-11	1.1	1.5	67	64	61	58	54	51	49	42	41	34			
CDL3-12	1.1	1.5	73	70	67	63	59	55	52	45	44	37			
CDL3-13	1.1	1.5	78	75	73	69	64	60	57	49	48	40			
CDL3-15	1.1	1.5	90	88	84	79	73	69	66	57	56	46			
CDL3-17	1.5	2	103	100	96	90	83	79	75	64	62	52			
CDL3-19	1.5	2	115	112	107	100	92	88	83	72	70	58			
CDL3-21	2.2	3	128	124	119	112	102	98	91	79	76	64			
CDL3-23	2.2	3	140	135	130	122	112	107	100	86	84	70			
CDL3-25	2.2	3	151	147	141	131	122	116	109	94	91	76			
CDL3-27	2.2	3	164	159	152	143	132	124	117	101	82	82			
CDL3-29	2.2	3	175	170	163	153	142	133	125	109	88	88			
CDL3-31	3.0	4	187	182	175	165	153	142	133	116	94	94			
CDL3-33	3.0	4	199	194	187	176	163	151	145	125	100	100			
CDL3-35	3.0	4	218	212	204	192	178	168	159	137	109	109			

Size and weight

Model	Size (mm)				Weight (kg)
	B1	B2	B1+B2	D2	
CDL3-2	258	225	483	148	20
CDL3-3	276	235	501	148	20
CDL3-4	294	235	529	148	21
CDL3-5	312	225	537	148	21
CDL3-6	330	225	555	148	23
CDL3-7	348	225	573	148	24
CDL3-8	376	245	621	170	27
CDL3-9	394	245	639	170	28
CDL3-10	412	245	657	170	28
CDL3-11	430	245	675	170	29
CDL3-12	448	245	693	170	30
CDL3-13	466	245	711	170	31
CDL3-15	502	245	747	170	32
CDL3-17	548	290	838	190	38
CDL3-19	584	290	874	190	39
CDL3-21	620	290	910	190	42
CDL3-23	656	290	946	190	43
CDL3-25	692	290	982	190	44
CDL3-27	728	290	1018	190	45
CDL3-29	764	290	1054	190	46
CDL3-31	810	345	1155	197	54
CDL3-33	846	345	1191	197	55
CDL3-35	900	345	1245	197	57