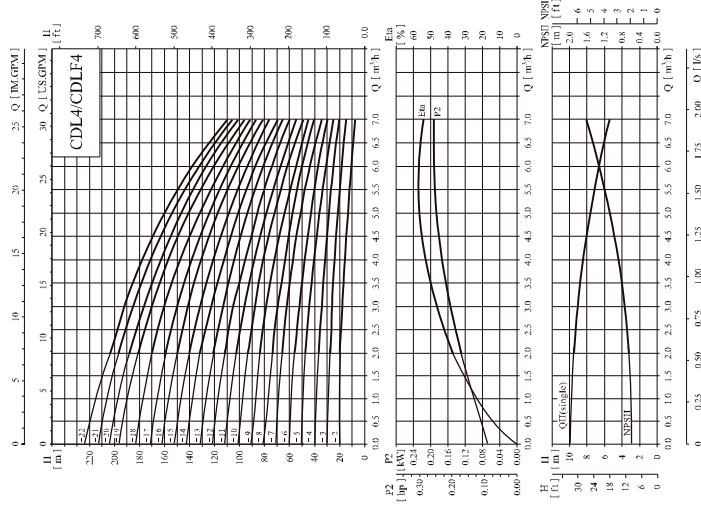
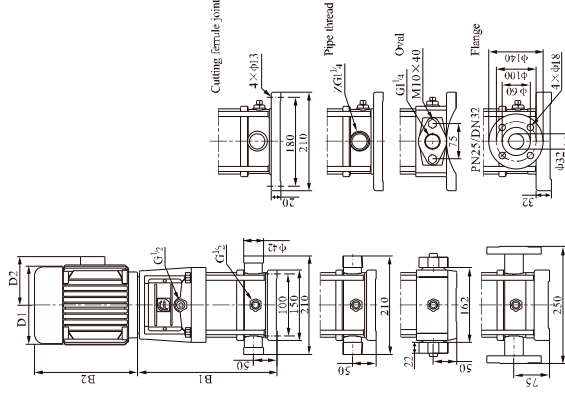


Performance curve ISO9906 Annex A 2900rpm



Installation sketch



CDL4-19/-4-22 sub-connection of pipeline has no oval flange connection.
The overall dimensions of the single-phase motor and explosion-proof motor are a little different.
Pls contact us for details.

Performance table

Model	Driving motor		Q ₀ (m³/h)	H (m)	5.0	6.0	7.0
	(kW)	(hp)					
CDL4-2	0.32	0.5	19	18	17	15	13
CDL4-3	0.55	0.75	28	27	26	24	20
CDL4-4	0.75	1.1	38	36	34	32	27
CDL4-5	1.1	1.5	47	45	43	40	34
CDL4-6	1.5	2	56	54	52	48	41
CDL4-7	2.2	3	66	63	61	56	48
CDL4-8	3.0	4	74	72	70	64	55
CDL4-10	4.0	5.5	96	90	87	81	62
CDL4-12	5.5	7.5	114	108	104	95	68
CDL4-14	7.5	10	136	126	122	112	89
CDL4-16	10	14	152	144	140	129	101
CDL4-19	14	20	183	171	168	153	122
CDL4-22	20	28	211	200	192	178	138

Size and weight

Model	Size(mm)				Weight (kg)
	B1	B2	B1+B2	D1	
CDL4-2	276	225	501	148	21
CDL4-3	303	225	528	148	22
CDL4-4	340	245	585	170	25
CDL4-5	367	245	612	170	27
CDL4-6	394	245	639	170	27
CDL4-7	431	250	681	190	33
CDL4-8	458	250	708	190	33
CDL4-10	512	250	762	190	37
CDL4-12	566	250	816	190	38
CDL4-14	630	345	975	197	46
CDL4-16	684	345	1029	197	48
CDL4-19	765	355	1120	230	57
CDL4-22	846	355	1201	230	59