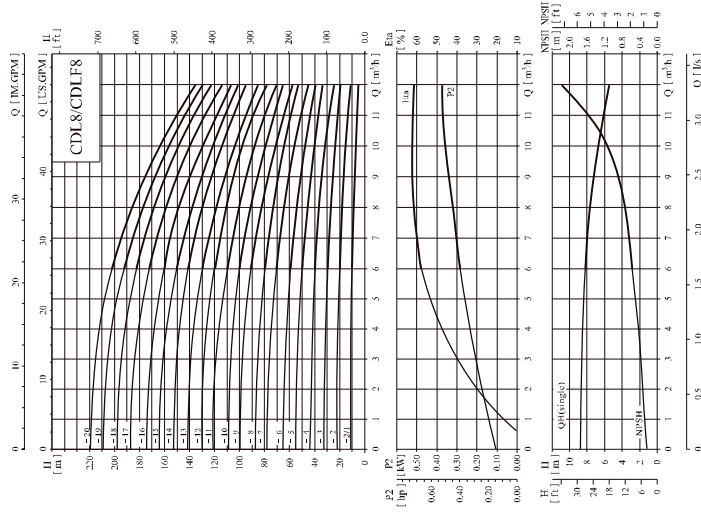
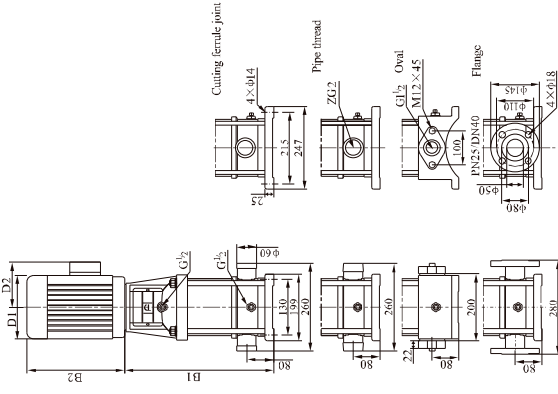


Performance curve ISO9906 Annex A 2900rpm



Installation sketch



CDL8-14/-8-20 sub-connection of pipeline has no oval flange connection. The overall dimensions of the single-phase motor and explosion-proof motor are a little different. Pls contact us for details.

Performance table

Model	Driving motor		Q (m³/h)	H (m)	P2 (kW)	P2 (hp)	Eff (%)	NPSH (m)	NPSH (ft)	Q [m³/h]	Q [US GPM]	H [ft]
	(kW)	(hp)										
CDL8-2/1	0.75	1	10	9.5	9.3	9	8.5	8	7	6	230	790
CDL8-2	0.75	1	20	19.5	19	18	17	16	14	13	460	1580
CDL8-3	1.1	1.5	30	29.5	28.5	27	25	24	21	19	690	2420
CDL8-4	1.5	2	41	39.5	38	36	34	32	28	26	920	3250
CDL8-5	2.2	3	52	50	48	45	42	40	36	32	1150	4080
CDL8-6	2.2	3	62	60	57	54	51	48	43	39	1380	4910
CDL8-8	3.0	4	83	80	77	73	69	65	58	52	1810	6440
CDL8-10	4.0	5.5	104	100	97	92	87	81	73	65	2240	7940
CDL8-12	4.0	5.5	124	120	116	111	104	92	87	78	2670	9430
CDL8-14	5.5	7.5	145	141	136	130	122	113	102	92	3100	10900
CDL8-16	5.5	7.5	166	161	156	148	139	130	118	106	3530	12500
CDL8-18	7.5	10	187	182	175	167	157	146	134	120	3960	13900
CDL8-20	7.5	10	208	202	195	186	175	163	150	135	4390	15600

Size and weight

Model	Size (mm)				Weight (kg)
	B1	B2	B1+B2	D2	
CDL8-2/1	347	245	592	170	32
CDL8-2	347	245	592	170	32
CDL8-3	377	245	622	170	34
CDL8-4	417	280	697	190	40
CDL8-5	447	280	727	190	44
CDL8-6	477	280	757	190	45
CDL8-8	547	345	892	197	53
CDL8-10	607	355	962	230	64
CDL8-12	667	355	1022	230	66
CDL8-14	747	390	1137	260	81
CDL8-16	807	390	1197	260	84
CDL8-18	867	390	1257	260	83
CDL8-20	927	390	1317	260	94