

Submersible monobloc pumps, Vortex system for sewage water

Applications

Drainage of sewage and dirty water, operation in septic tanks and small purifying installations.

Materials

Pump body, discharge body, suction body and impeller in cast iron.
Mechanical seal in silicon carbide and ceramic.
Pump base in stainless steel AISI 304, detachable for coupling of accessories.
O-rings in NBR.
Motor shaft in stainless steel AISI 420.

Motor

Asynchronous, two poles, high torque.
IP 68 protection.
Class F insulation.
Continuous operation.
Water-cooled motor.
Single-phase version built-in thermal protection and capacitor.

Limitations

Maximum solids handling:
Drainex 200: 45 mm.
Drainex 300: 60 mm.
Maximum liquid temperature: 40 °C.

Equipment

Supplied with 10 m power cable.
Drainex M: without float switch.
Drainex M A: with float switch.
Drainex T: three phase without float switch.
Transportable versions include elbow and s/s feet.



Hydraulic performance table

Model	I [A]		P1 [kW]		P2		c	l/min	50	100	200	300	400	500	1~230V M	1~230V MA	3~400V
	1~230 V	3~400 V	1~230 V	3~400 V	[kW]	[HP]			[μF]	m³/h	3.0	6.0	12	18	24	30	Code
Drainex 200	5.4	2.3	1.1	1.1	1.1	1.5	16	mwc	10.7	9.7	7.4	4.9	2.3		96652	96654	96648
Drainex 201	6.6	2.6	1.4	1.4	1.1	1.5	16		13.2	11.9	9.4	6.7	3.8		96664	96666	96662
Drainex 202	7.4	2.8	1.6	1.6	1.1	1.5	16		15.1	13.8	11.3	8.5	5.6	2.5	96674	96676	96672

Model	I [A]		P1 [kW]		P2		c	l/min	50	100	200	400	500	650	1~230V M	1~230V MA	3~400V
	1~230 V	3~400 V	1~230 V	3~400 V	[kW]	[HP]			[μF]	m³/h	3.0	6.0	12	24	30	39	Code
Drainex 300	5.50	2.4	1.2	1.2	1.1	1.5	16	mwc	7.1	6.6	5.4	2.9	1.8		96684	96686	96682
Drainex 301	6.80	2.7	1.5	1.5	1.1	1.5	12		9.2	8.5	7	4.1	2.8		96694	96696	96692
Drainex 302	7.20	3	1.8	1.8	1.1	1.5	12		11	10.5	9	5.8	4.2	1.8	96704	96706	96702

Elbow flange set (P.O.A)



Optimal cooling of the motor thanks to the motor body being designed as a single part.

Interior condenser is in a completely watertight chamber to simplify the pump installation process.

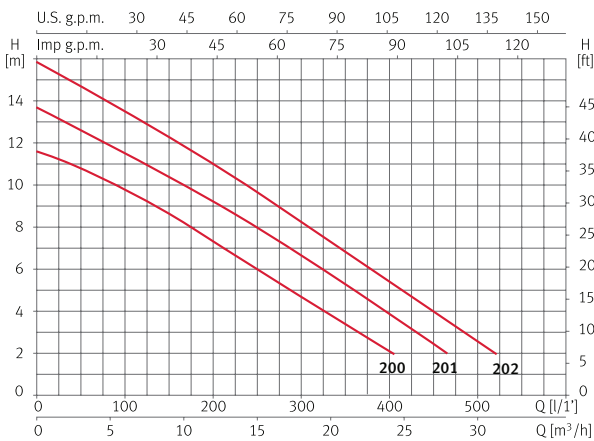
The incorporation of a **mechanical seal** guarantees complete watertightness between the hydraulic part and the motor.



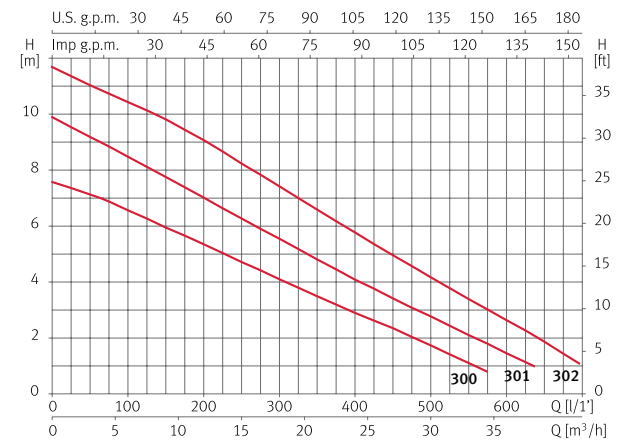
Large chamber between the impeller and the aspiration cone which allows suspended solid particles to pass through. Drainex 200, 45 mm. and Drainex 300, 60 mm.

Performance curves at 2900 rpm

Drainex 200



Drainex 300

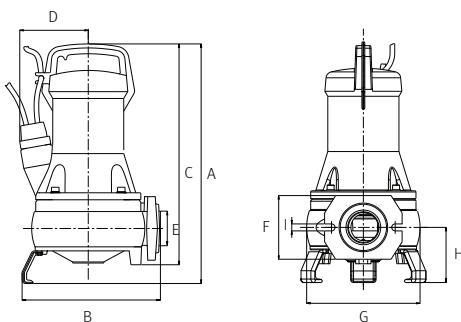


Dimensions and weights

Drainex 200/201/202

Model	A	B	C	D	E	F	G	H	I	[Kg]
Drainex 200	415	239.5	383	118.7	2"	110	196	95	12	25
Drainex 201	415	239.5	383	118.7	2"	110	196	95	12	25
Drainex 202	415	239.5	383	118.7	2"	110	196	95	12	25

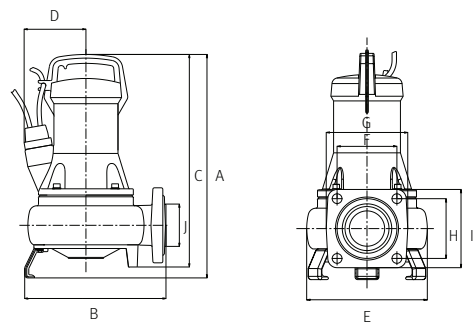
Impeller ext. Ø: Drainex 200: 105 mm. Drainex 201: 115 mm. Drainex 202: 124 mm.



Drainex 300/301/302

Model	A	B	C	D	E	F	G	H	I	J	[Kg]
Drainex 300	429	271.5	408	118.7	222	110	150	110	144	2 1/2"	28
Drainex 301	429	271.5	408	118.7	222	110	150	110	144	2 1/2"	28
Drainex 302	429	271.5	408	118.7	222	110	150	110	144	2 1/2"	28

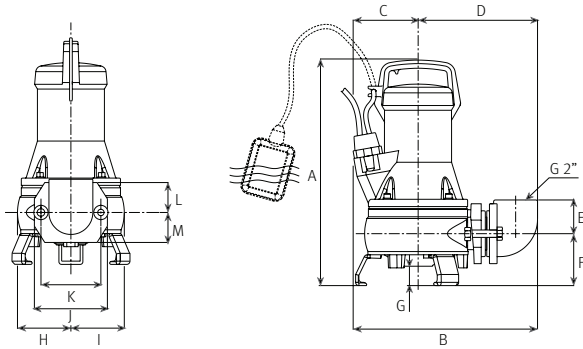
Impeller ext. Ø: Drainex 300: 105 mm. Drainex 301: 115 mm. Drainex 302: 124 mm.



Portable version

Drainex 200/201/202

A	B	C	D	E	F	G	H	I	J	K	L	M
437	338	110	219	62	95	49	98	98	134	110	55	55

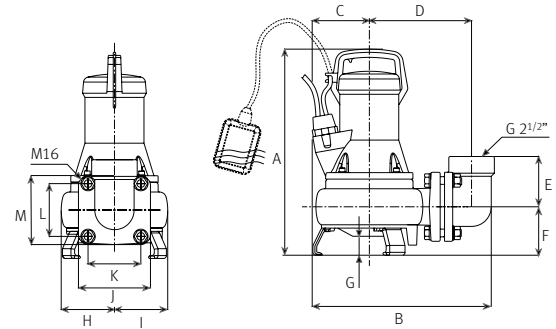


Passage Ø of particles in suspension: 45mm

Drainex 200/300: without float switch. Drainex 200 A/300 A: supplied built-in float switch

Drainex 300/301/302

A	B	C	D	E	F	G	H	I	J	K	L	M
455	373	108	213	105	101	62	111	111	150	110	110	144

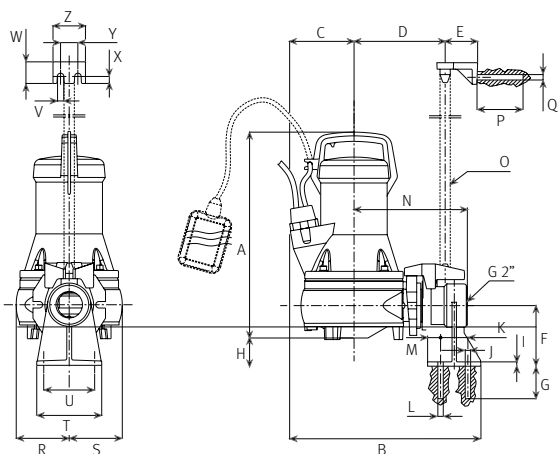


Fixed version, guide rail system

Drainex 200/201/202

A	B	C	D	E	F	G	H	I	J	K	L	M
388	353	110	168	60	112	60	52	8	12	50,5	Ø10	24

N	O	P	Q	R	S	T	U	V	W	X	Y	Z
209	Ø25	85	Ø10	98	98	120	94	12	40	13	32	60



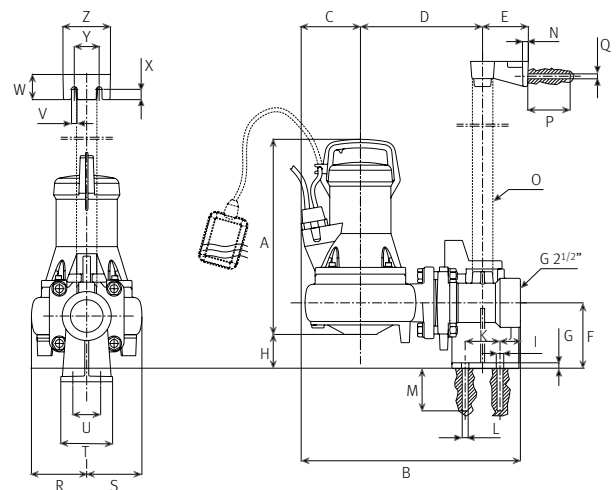
Passage Ø of particles in suspension: 60mm

Drainex 200/300: without float switch. Drainex 200 A/300 A: supplied built-in float switch

Drainex 300/301/302

A	B	C	D	E	F	G	H	I	J	K	L	M
405	441	108	245,5	92	132	11,5	74,5	15	38	70	Ø12	85

N	O	P	Q	R	S	T	U	V	W	X	Y	Z
12	Ø42	85	Ø10	111	111	104	56	11	50,5	20,5	50	95



*Service kits are available on request