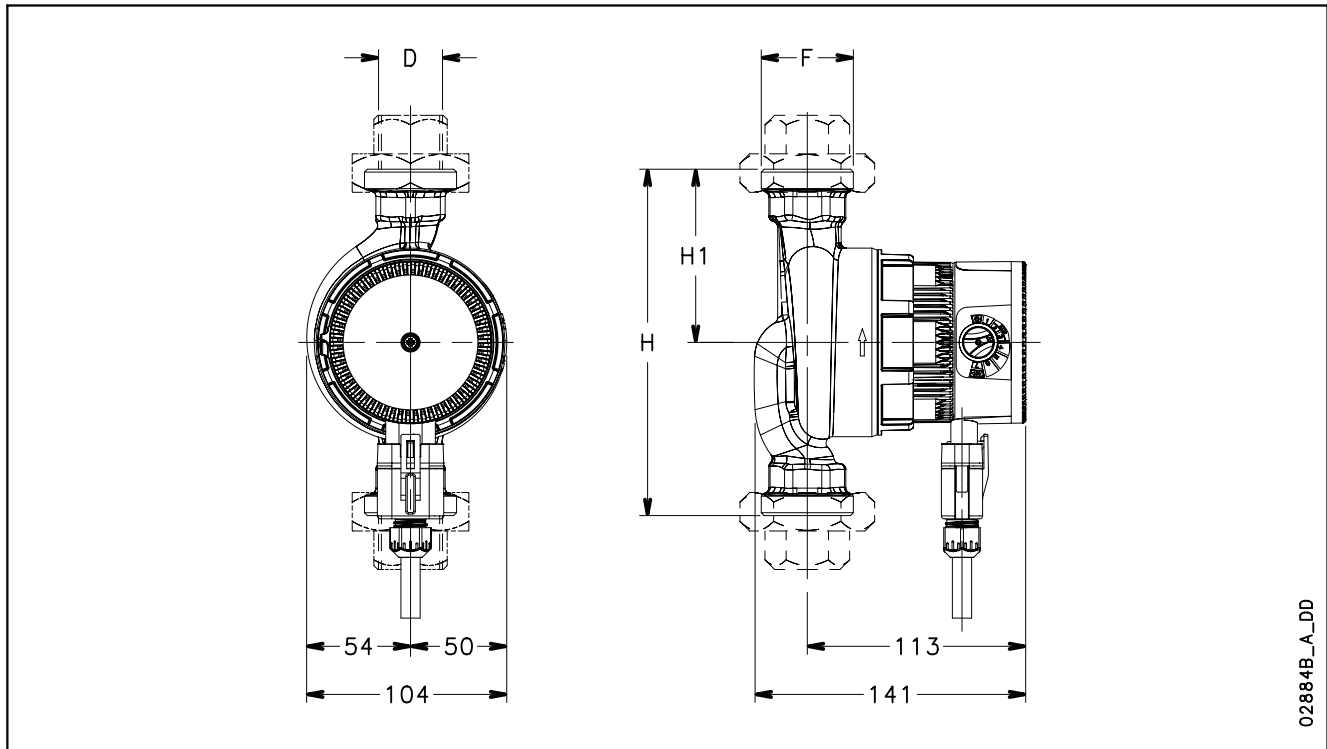


ecocirc BASIC SERIES DIMENSIONS AND WEIGHTS



ecocirc BASIC...4/ TABLE

PUMP TYPE ecocirc BASIC	DIMENSIONS (mm)		D	F	DN	WEIGHT kg
	H	H1				
15-4/130	130	65	Rp 1/2"	G 1"	15	1,9
20-4/130	130	65	Rp 3/4"	G 1 1/4"	20	2,0
25-4/130	130	65	Rp 1"	G 1 1/2"	25	2,1
25-4/180	180	90	Rp 1"	G 1 1/2"	25	2,4
32-4/180	180	90	Rp 1 1/4"	G 2"	32	2,6

ecocircB4-2p50-en_a_td

ecocirc BASIC...6/ TABLE

PUMP TYPE ecocirc BASIC	DIMENSIONS (mm)		D	F	DN	WEIGHT kg
	H	H1				
15-6/130	130	65	Rp 1/2"	G 1"	15	1,9
20-6/130	130	65	Rp 3/4"	G 1 1/4"	20	2,0
25-6/130	130	65	Rp 1"	G 1 1/2"	25	2,1
25-6/180	180	90	Rp 1"	G 1 1/2"	25	2,4
32-6/180	180	90	Rp 1 1/4"	G 2"	32	2,6

ecocircB6-2p50-en_a_td