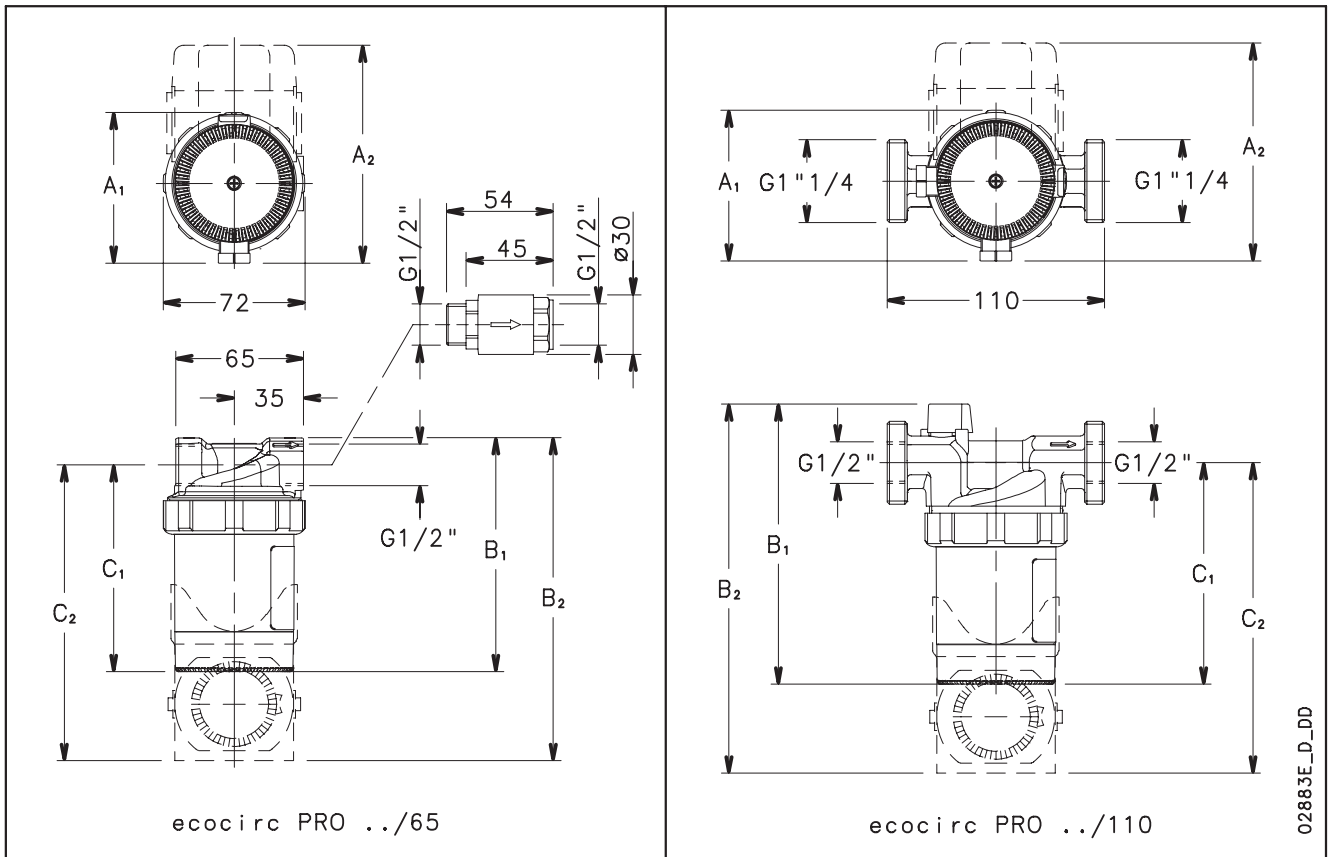


## ecocirc® PRO SERIES DIMENSIONS AND WEIGHTS



### DIMENSIONS AND WEIGHTS TABLE

PUMP TYPE ecocirc PRO		DIMENSIONS (mm)						DN	PESO kg
		A <sub>1</sub>	A <sub>2</sub>	B <sub>1</sub>	B <sub>2</sub>	C <sub>1</sub>	C <sub>2</sub>		
15-1/65R	15-1/65	76	-	118	-	105	-	15	0,9
15-1/65RU	15-1/65U	-	110	-	163	-	150	15	1
15-1/110R	15-1/110	76	-	142	-	112	-	15	1,3
15-1/110RU	15-1/110U	-	110	-	187	-	157	15	1,4
	15-3/65	76	-	118	-	105	-	15	0,9
	15-3/110	76	-	142	-	112	-	15	1,3

ecocirc-PRO-2p50-en\_d\_td