

DL Series

Submersible pumps for solid-laden wastewater. Made in cast iron and stainless steel, with mechanical seal and versions with single-channel impeller and Vortex impeller.

Specifications

Delivery: up to 42 m³/h

Head: up to 22 m

Power supply: three-phase and single-phase 50 and 60 Hz

Power: 0.6 kW to 1.5 kW

Maximum immersion depth: 5 m

Temperature of pumped liquid: 0°C to +50°C (with pump totally immersed)

0°C to +25°C (with pump partially immersed)

Liquids with suspended solids: up to 45 mm (DL80-90-105 Minivortex-Vortex)

up to 50 mm (DL109-125, DLV100-115)

Protection: IP68

Length of cable: 5 m

Materials

Pump body: Cast iron

Suction flange, feet, shaft extension, motor casing, impeller: Stainless steel

Elastomers: NBR

Mechanical seal: Carbon/Ceramic/NBR

Discharge elbow: Cast iron

Applications

Pumping of sewage with suspended solids and filaments

Draining of septic tanks, sumps and wastewater discharge tanks

Emptying of drains and tanks in industrial and ecological applications

Emptying of tanks or reservoirs

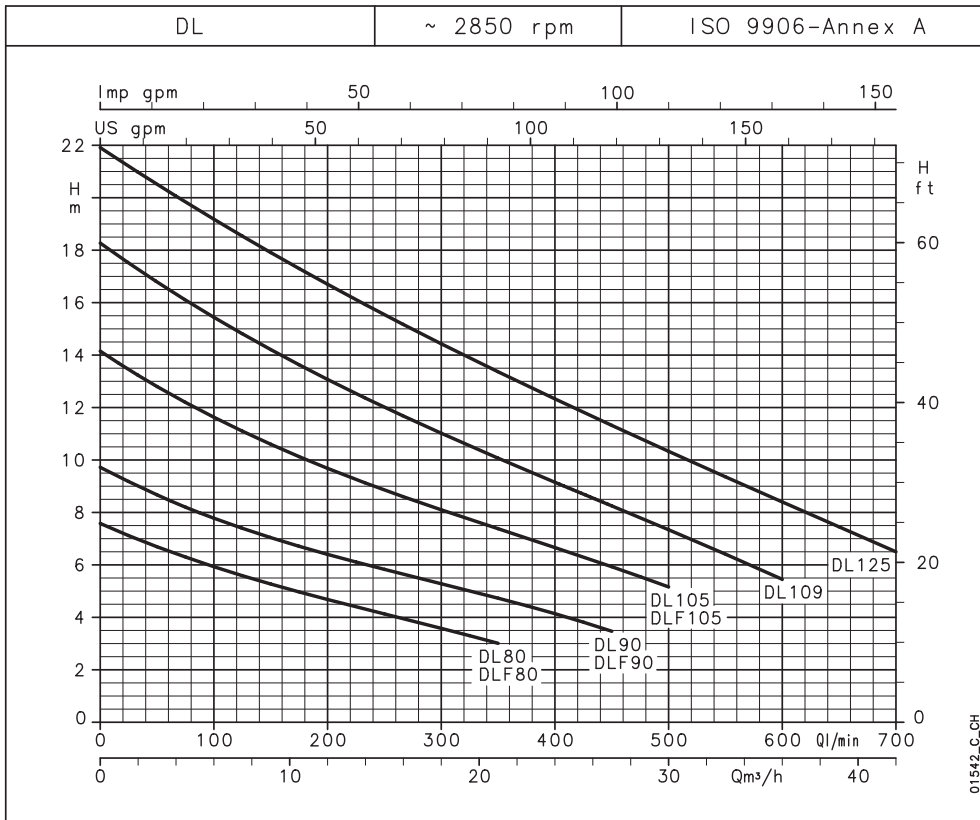
Emergency draining in flooded areas



DL SERIES

Operating characteristics at 50 Hz, 2 poles

3



DL SERIES

Hydraulic performance table

| PUMP TYPE | RATED POWER | | Q = DELIVERY | | | | | | | | | | | | |
|--------------------|-------------|-----|---------------------------------------|------|------|------|------|------|------|------|------|------|-----|-----|-----|
| | | | H = TOTAL HEAD METRES COLUMN OF WATER | | | | | | | | | | | | |
| | | | l/min | 0 | 100 | 150 | 200 | 250 | 300 | 350 | 400 | 450 | 500 | 600 | 700 |
| | | | 0 | 6 | 9 | 12 | 15 | 18 | 21 | 24 | 27 | 30 | 36 | 42 | |
| | | | m³/h | 0 | 6 | 9 | 12 | 15 | 18 | 21 | 24 | 27 | 30 | 36 | 42 |
| | kW | HP | | | | | | | | | | | | | |
| DL(M) 80-DLF(M) 80 | 0,6 | 0,8 | 7,6 | 5,9 | 5,3 | 4,7 | 4,1 | 3,6 | 3,0 | | | | | | |
| DL(M) 90-DLF(M) 90 | 0,6 | 0,8 | 9,7 | 7,8 | 7,0 | 6,4 | 5,8 | 5,3 | 4,7 | 4,1 | 3,5 | | | | |
| DL 105 - DLF105 | 1,1 | 1,5 | 14,1 | 11,6 | 10,6 | 9,7 | 8,9 | 8,1 | 7,4 | 6,7 | 5,9 | 5,2 | | | |
| DL(M) 109 | 1,1 | 1,5 | 18,3 | 15,4 | 14,2 | 13,1 | 12,0 | 11,0 | 10,1 | 9,2 | 8,2 | 7,3 | 5,4 | | |
| DL 125 | 1,5 | 2 | 21,9 | 19,2 | 17,9 | 16,7 | 15,5 | 14,4 | 13,4 | 12,3 | 11,3 | 10,3 | 8,4 | 6,5 | |

These performances are valid for liquids with density $\rho = 1,0 \text{ kg/dm}^3$ and kinematic viscosity $\nu = 1 \text{ mm}^2/\text{s}$.

dl-2p50-en_b_th

Electrical data

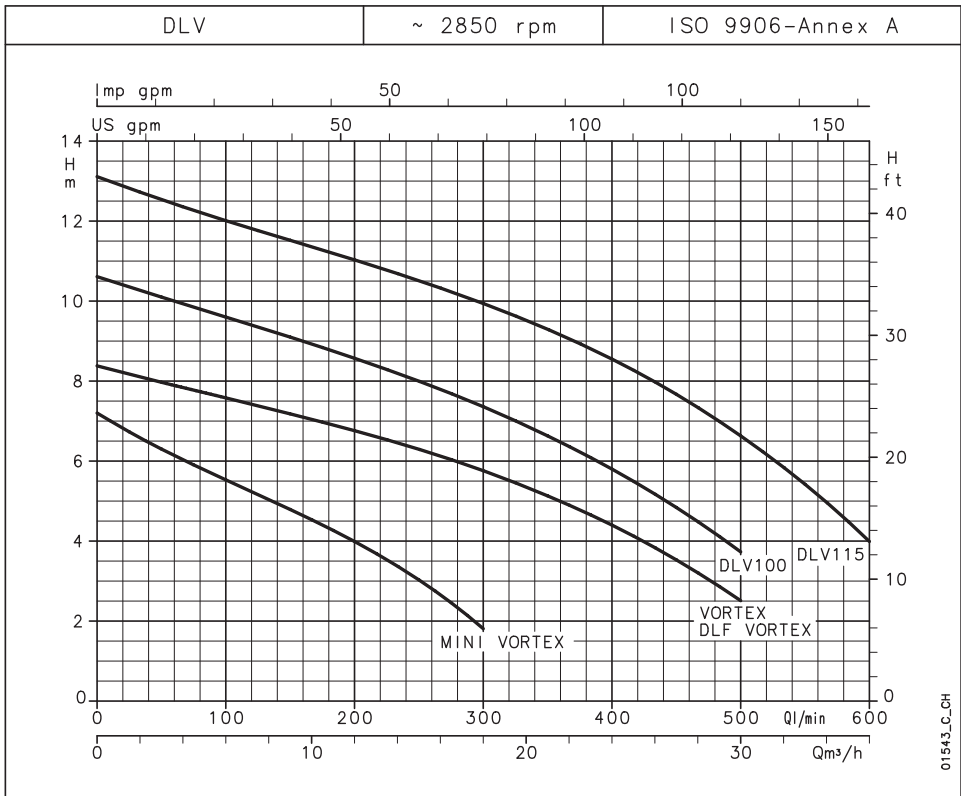
| PUMP TYPE | ABSORBED POWER* | ABSORBED CURRENT* | CAPACITOR | PUMP TYPE | ABSORBED POWER* | ABSORBED CURRENT* | ABSORBED CURRENT* |
|--------------|-----------------|-------------------|-------------------------------|--------------|-----------------|-------------------|-------------------|
| | | | | | | | |
| SINGLE-PHASE | kW | A | $\mu\text{F} / 450 \text{ V}$ | | kW | A | A |
| DLM80-DLFM80 | 0,79 | 3,91 | 25 | DL80-DLF80 | 0,8 | - | 2,09 |
| DLM90-DLFM90 | 0,89 | 4,27 | 25 | DL90-DLF90 | 0,92 | 3,81 | 2,2 |
| - | - | - | - | DL105-DLF105 | 1,43 | 4,66 | 2,69 |
| DLM109 | 1,55 | 6,87 | 35 | DL109 | 1,54 | 5,44 | 3,14 |
| - | - | - | - | DL125 | 2,14 | 6,58 | 3,8 |

*Maximum values within operating range.

dl-2p50-en_b_te

DLV SERIES

Operating characteristics at 50 Hz, 2 poles



DLV SERIES

Hydraulic performance table

| PUMP TYPE | RATED POWER | | Q = DELIVERY | | | | | | | | | | | | |
|---------------------------------------|-------------|-----|--------------|------|------|------|------|------|-----|-----|-----|-----|-----|-----|-----|
| | | | l/min | 0 | 50 | 100 | 150 | 200 | 250 | 300 | 350 | 400 | 450 | 500 | 600 |
| | kW | HP | m³/h | 0 | 3 | 6 | 9 | 12 | 15 | 18 | 21 | 24 | 27 | 30 | 36 |
| H = TOTAL HEAD METRES COLUMN OF WATER | | | | | | | | | | | | | | | |
| MINI VORTEX(M) | 0,6 | 0,8 | 7,2 | 6,3 | 5,5 | 4,8 | 4,0 | 3,0 | 1,8 | | | | | | |
| VORTEX-DLF VORTEX | 1,1 | 1,5 | 8,4 | 8,0 | 7,6 | 7,2 | 6,8 | 6,3 | 5,8 | 5,1 | 4,4 | 3,5 | 2,5 | | |
| DLV(M) 100 | 1,1 | 1,5 | 10,6 | 10,1 | 9,6 | 9,1 | 8,6 | 8,0 | 7,4 | 6,6 | 5,8 | 4,8 | 3,7 | | |
| DLV 115 | 1,5 | 2 | 13,1 | 12,5 | 12,0 | 11,5 | 11,0 | 10,5 | 9,9 | 9,3 | 8,5 | 7,7 | 6,6 | 4,0 | |

These performances are valid for liquids with density $\rho = 1,0 \text{ kg/dm}^3$ and kinematic viscosity $\nu = 1 \text{ mm}^2/\text{s}$.

dlv-2p50-en_b_th

Electrical data

| PUMP TYPE | SINGLE-PHASE | | | PUMP TYPE | THREE-PHASE | | |
|---------------|-----------------|-------------------|-------------------------------|-------------------|-----------------|-------------------|-------------------|
| | ABSORBED POWER* | ABSORBED CURRENT* | CAPACITOR | | ABSORBED POWER* | ABSORBED CURRENT* | ABSORBED CURRENT* |
| | kW | 220-240 V A | $\mu\text{F} / 450 \text{ V}$ | | kW | 220-240 V A | 380-415 V A |
| MINI VORTEX M | 1,05 | 4,82 | 25 | MINI VORTEX | 1,10 | - | 2,36 |
| - | - | - | - | VORTEX-DLF VORTEX | 1,66 | 5,11 | 2,95 |
| DLVM100 | 1,64 | 7,30 | 35 | DLV 100 | 1,65 | 5,63 | 3,25 |
| - | - | - | - | DLV 115 | 2,25 | 6,81 | 3,93 |

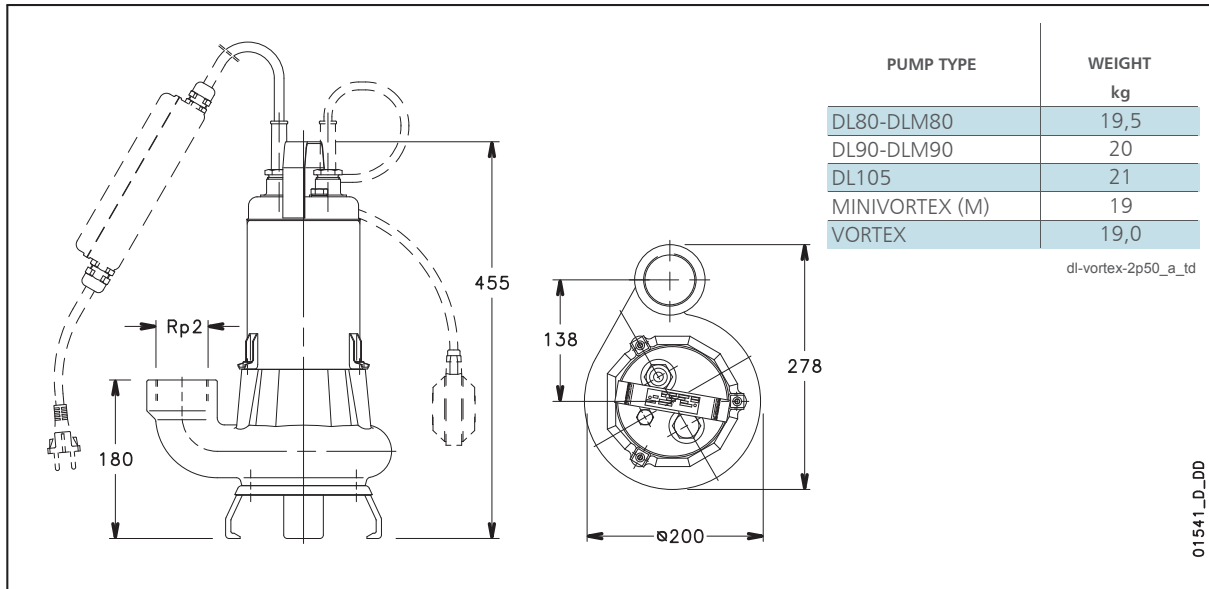
*Maximum values within operating range.

dlv-2p50-en_b_te

DL - VORTEX SERIES

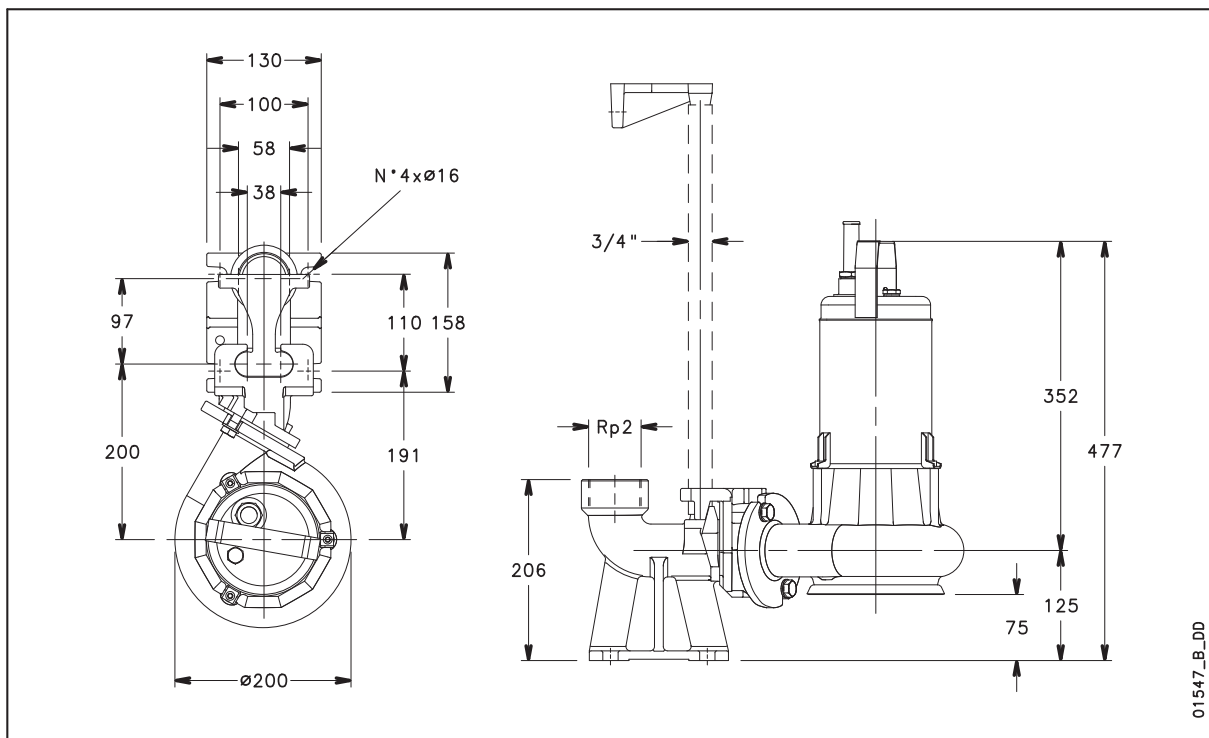
Dimensions and weights

3



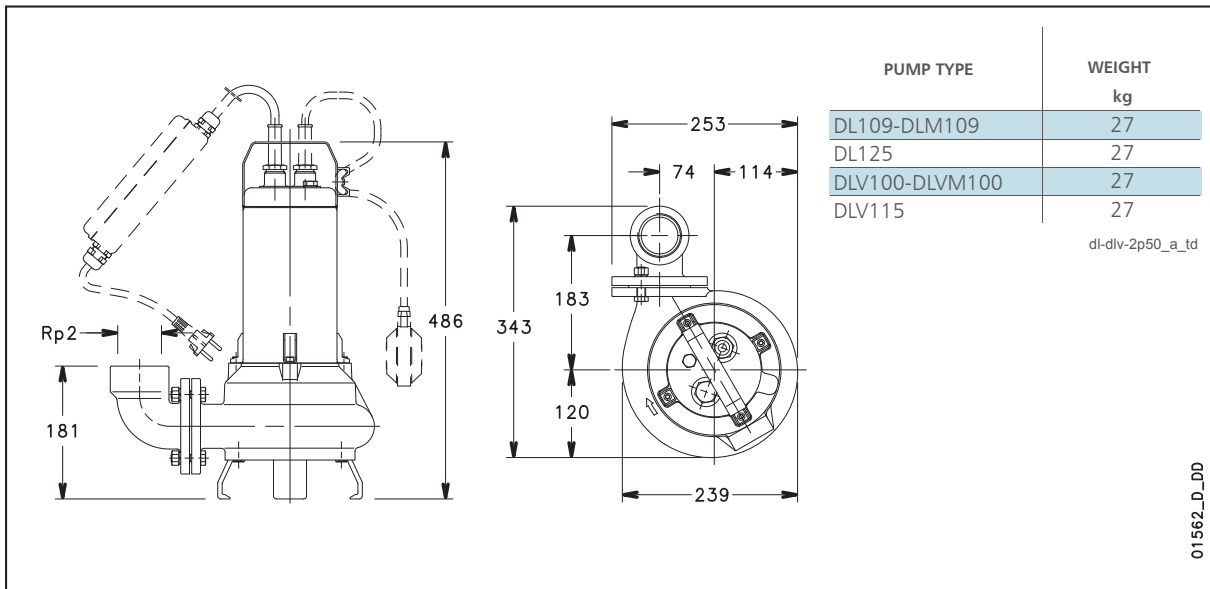
DLF SERIES

Installations examples



DL - VORTEX SERIES

Dimensions and weights



DL - VORTEX SERIES

Installations examples

