

Quiet-running vertical multi-stage centrifugal pumps, supplied with flanges

Applications

Spray irrigation systems, hydropneumatic sets and industrial installations.

Materials

Pump body and impellers in stainless steel AISI 304.
Diffusers in technopolymer.
Mechanical seal in graphite and alumine.
Motor housing in aluminium L-2521.
Flanges, suction and discharge connections in cast iron.
Motor shaft in stainless steel AISI 420.
Multi35N 8 and 10 / Multi55N 6 and 7: in stainless steel AISI 303.

Limitations

Maximum temperature of liquid: 40 °C

Equipment

Supplied with oval counter flanges DIN 2558.

Motor

Asynchronous, two poles.
IP 44 protection.
Class F insulation.
Continuous operation.
Efficiency IE3.
Multi25: Single-phase version up to 1.5 HP built-in thermal protection.
Multi35N: Single-phase version up to 1 HP built-in thermal protection.
Energy Index MEI \geq 0,4 for Multi 25/35.
Energy Index MEI \geq 0,4 for Multi 55.



WATER SUPPLY SURFACE HORIZONTAL & VERTICAL

ErP READY

Hydraulic performance table

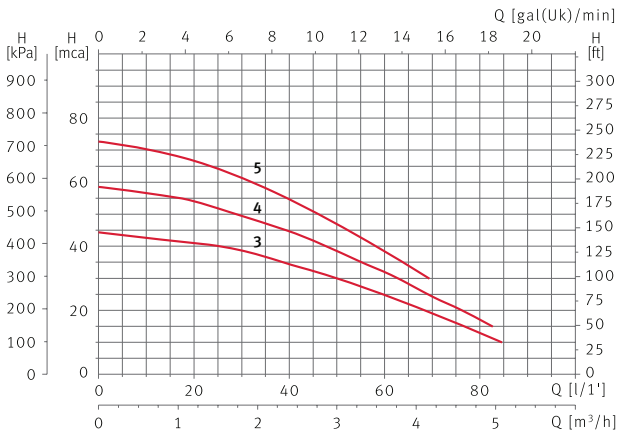
Model	I [A]			P1 [kW]		P2		c	l/min m ³ /h	8	17	25	33	42	58	75	92	1~230 V (model M)	3~400 V (model T)	
	1~230 V	3~230 V	3~400 V	1~230 V	3~400 V	[kW]	[HP]											[μF]	Code	Code
	MULTI 25.3M	4.5	3.2	1.9	1.0	0.9	0.55											0.75	6	mwc
MULTI 25.4M	5.8	3.9	2.3	1.2	1.1	0.75	1	16		52.7	51	48.2	45.8	42	33	22	9	134927	134930	
MULTI 25.5M	6.4	4.2	2.5	1.4	1.3	0.9	1.25	16		66.5	64	61.2	57.5	52.5	41	27	12	134928	134931	

Model	I [A]			P1 [kW]		P2		c	l/min m ³ /h	17	33	50	75	100	125	150	175	1~230 V (Model M)	3~400 V (Model T)	
	1~230 V	3~230 V	3~400 V	1~230 V	3~400 V	[kW]	[HP]											[μF]	Code	Code
	MULTI 35.3MN	6.7			1.5		0.75											1	25	mwc
MULTI 35.4MN	8.4	5.3	3.1	1.8	1.8	1.1	1.5	25		54	51	48	44	37	29.5	21	11.8	129335	129339	
MULTI 35.5MN	10.2	6.9	4	2.3	2.2	1.5	2	30		65.4	63.5	60	54.5	46	36	26.2	15	129336	129340	
MULTI 35.6N		8.3	4.8		2.7	2.2	3			82	79.5	76	69	61	49	36.7	23		129341	
MULTI 35.8N		11.9	6.5		3.6	3	4			108	105	101	93	85	70	53	35		129342	
MULTI 35.10N		15.4	8.9		4.9	4	5.5			134	130	125	117	105	90	70	47		129337	

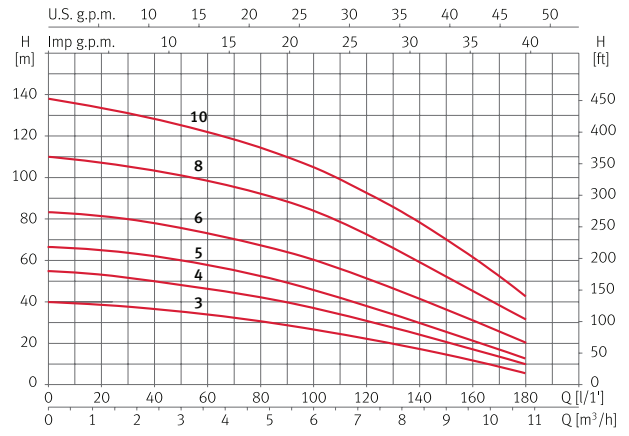
Model	I [A]		P1 [kW]	P2		l/min m ³ /h	20	50	75	100	150	200	250	300	1~230 V (Model M)	3~400 V (model T)
	3~230 V	3~400 V		[kW]	[HP]										Code	Code
	MULTI 55.3MN	6.6		3.8	2.1										1.5	2
MULTI 55.4N	8.3	4.8	2.8	2.2	3		50	47	45	43	39	33	26	16		131485
MULTI 55.6N	12.1	7	4.2	3	4		77	73	70	66	60	52	43	29		131486
MULTI 55.7N	15.6	9	4.9	4	5.5		90	86	82	78	70	60	50	35		131487

Performance curves at 2900 rpm

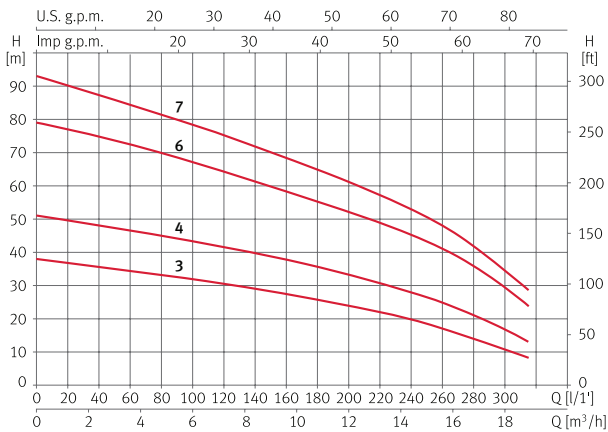
Multi25



Multi35 N



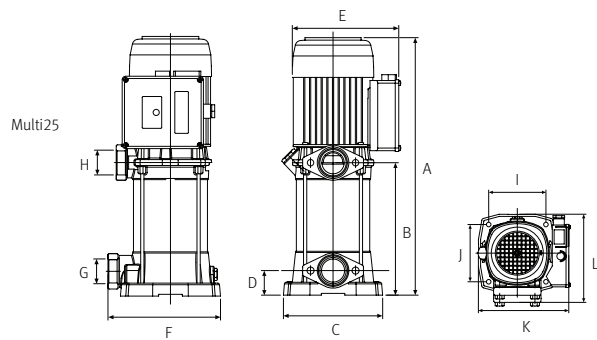
Multi55 N



Dimensions and weights

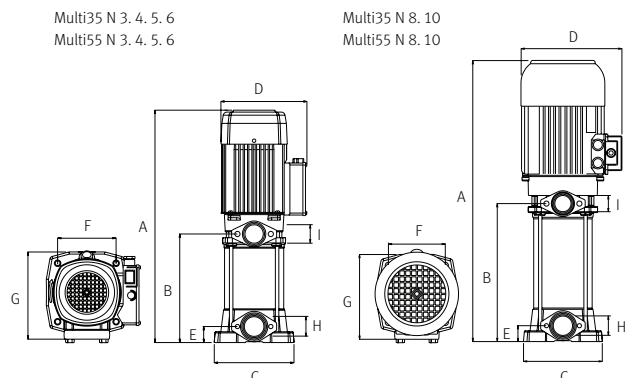
Multi25

Model	A	B	C	D	E	F	G	H	I	J	K	L	Kg
MULTI 25.3M	398	194	170	42	182	191	1 1/4"	1 1/4"	125	197	193	125	16.2
MULTI 25.4M	422	205	170	42	182	191	1 1/4"	1 1/4"	125	197	193	125	17.3
MULTI 25.5M	441	226	170	42	182	191	1 1/4"	1 1/4"	125	197	193	125	17.9



Multi35 N / Multi55 N

Model	A	B	C	D	E	F	G	H	I	Kg
MULTI 35.3MN	487	201.5	184	203	37	133	201	1 1/2"	1 1/4"	20.2/20
MULTI 35.4MN	511.5	226	184	203	37	133	201	1 1/2"	1 1/4"	22.4/20.4
MULTI 35.5MN	536	250.5	184	203	37	133	201	1 1/2"	1 1/4"	25.1/22.7
MULTI 35.6N	561	275	184	203	37	133	201	1 1/2"	1 1/4"	25.7
MULTI 35.8N	657.5	323	184	233	37	133	201	1 1/2"	1 1/4"	32.6
MULTI 35.10N	707.5	373	184	233	37	133	201	1 1/2"	1 1/4"	39.4
MULTI 55.3MN	531	245	184	203	37	133	201	1 1/2"	1 1/4"	25.7/23.3
MULTI 55.4N	571	285	184	203	37	133	201	1 1/2"	1 1/4"	26.6
MULTI 55.6N	696	362	184	203	37	133	201	1 1/2"	1 1/4"	35.4
MULTI 55.7N	736	402	184	203	37	133	201	1 1/2"	1 1/4"	39.7



*Service kits are available on request