

Quiet-running single-stage centrifugal pump, self-priming, complete with pre-filter

Applications

Recirculation and filtering of water from small and medium swimming pools.

Materials

Pump body, pump foot, impeller, seal mounting and diffuser in technopolymer.

Motor shaft in stainless steel AISI 431.

Special mechanical seal in AISI 316.

Motor housing in aluminium.

O-rings in NBR.

Bearings up to 160 °C

Equipment

Supplied with suction and discharge unions (metric 50 mm or Imperial 1^{1/2}").

NEW DESIGN

NEW MATERIALS

ULTRA-SILENT

SELF-PRIMING 4m

EXTENDED WARRANTY

Motor

Asynchronous, two poles.

IP 55 protection.

Class F insulation.

Continuous operation.

Single-phase version with built-in thermal protection.

10.000 hours P2 capacitor with aluminium casing.



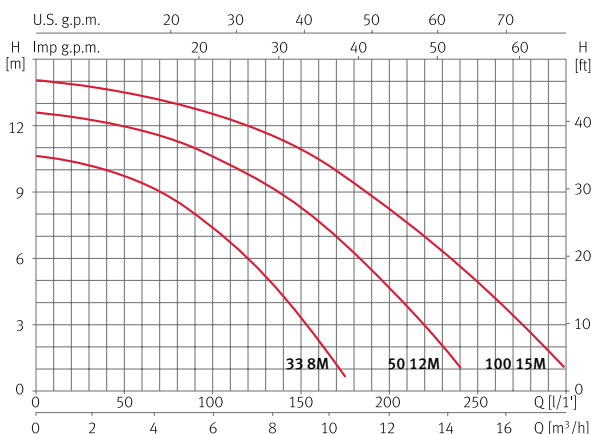
Check conditions and terms at page 178

Hydraulic performance table

Model	I [A]	P1 [kW]	P2		c	* Pool volume [m ³]	l/min	25	50	75	100	150	200	250	290	1~230 V (model M)
	1~230 V	1~230 V	[kW]	[HP]	[μF]			m ³ /h	1.5	3.0	4.5	6.0	9.0	12	15	17.4
SILEN I 33 8M	2	0.45	0.25	0.33	12	65	mwc	10.2	9.7	8.6	7.2	3.2				203144
SILEN I 50 12M	2.8	0.65	0.37	0.5	12	75		12.3	11.9	11.3	10.5	8.1	4.6			203145
SILEN I 100 15M	3.8	0.85	0.75	1	12	85		13.8	13.3	13	12.5	10.8	8.1	4.8	1.8	203146

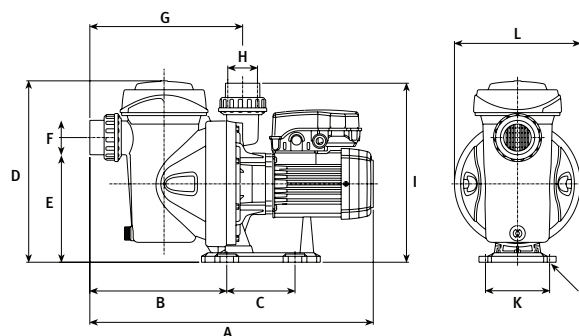
(*) Swimming pool volume (m³): Considering water circulation of 8 hours/day.

Performance curves at 2900 rpm



Dimensions and weights

Model	A	B	C	D	E	F	G	H	I	J	K	L	Kg
SILEN I 33 8M	438.5	191.5	115	304	210	2 1/4"	221	2 1/4"	264	Ø9	108	Ø212	8.9
SILEN I 50 12M	438.5	191.5	115	304	210	2 1/4"	221	2 1/4"	264	Ø9	108	Ø212	10.2
SILEN I 100 15M	438.5	191.5	115	304	210	2 1/4"	221	2 1/4"	264	Ø9	108	Ø212	10.9



*Service kits are available on request