

Quiet-running single-stage, self-priming, centrifugal pumps, complete with pre-filter

Applications

Recirculation and filtering of large pools.

Materials

Pump body, pump foot, diffuser, impeller and seal mounting in technopolymer.

Motor shaft in stainless steel AISI 431.

Special mechanical seal in AISI 316.

Motor housing in aluminium.

O-rings in NBR.

Bearings up to 160 °C.

Motor

Asynchronous, two poles.

IP 55 protection.

Class F insulation.

Continuous operation.

Single-phase version built-in thermal protection.

10.000 hours P2 capacitor with aluminium casing.

Equipment

Supplied with suction and discharge unions (metric 63 mm or Imperial 2").



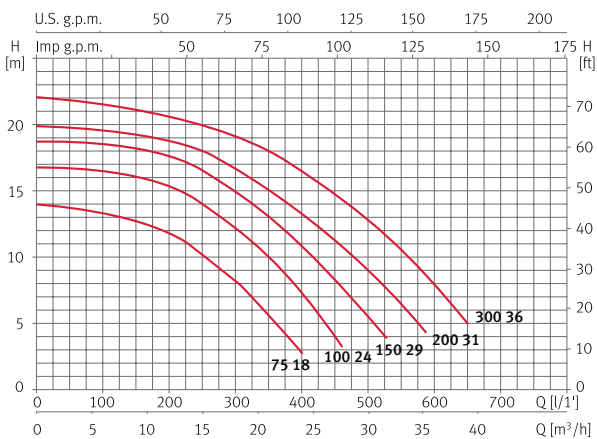
Check conditions and terms at page 178

Hydraulic performance table

Model	I [A]			P1 [kW]		P2		c	* Pool volume [m³]	l/min	m³/h								1~230 V (model M)	3~400 V (model T)
	1~230 V	3~230 V	3~400 V	1~230 V	3~400 V	[kW]	[HP]				[µF]	6.0	9.0	15	21	27	30	33	39	Code
SILEN S2 75 18	4.5	3.8	2.2	1.0	1.0	0.55	0.75	25	110	mwc	13.2	12.8	10	5.5					203155	203160
SILEN S2 100 24	7	4.8	2.8	1.5	1.6	0.92	1.25	25	150		16.5	16	14.2	10	4				203156	203161
SILEN S2 150 29	8.5	5.3	3.1	1.9	1.9	1.1	1.5	25	180		18.5	18.2	16.5	13	8.2	5.5			203157	203162
SILEN S2 200 31	9.7	6.5	3.8	2.2	2.2	1.5	2.0	30	200		19.5	19.1	18	15	11.1	9	6.3		203158	203163
SILEN S2 300 36	12.5	8.6	5	2.8	2.6	2.2	3.0	60	240		21.5	21	19.9	18	14.9	12.9	10.3	5	203159	203164

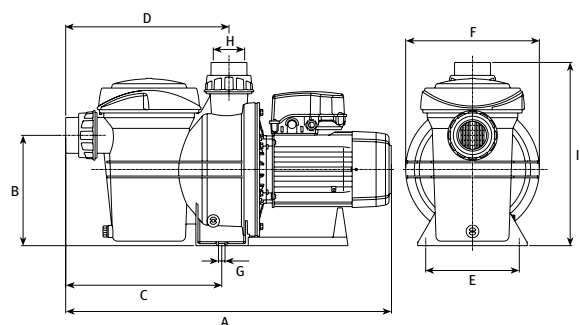
(*) Swimming pool volume (m³): Considering water circulation of 8 hours/day.

Performance curves at 2900 rpm



Dimensions and weights

Model	A	B	C	D	E	F	G	H	I	Kg
SILEN S2 75 18	623.5	222	272	285	188	268	Ø13	2 3/4"	326.5	14
SILEN S2 100 24	623.5	222	272	285	188	268	Ø13	2 3/4"	326.5	15
SILEN S2 150 29	623.5	222	272	285	188	268	Ø13	2 3/4"	326.5	18
SILEN S2 200 31	623.5	222	272	285	188	268	Ø13	2 3/4"	326.5	21
SILEN S2 300 36	623.5	222	272	285	188	268	Ø13	2 3/4"	326.5	23



*Service kits are available on request