

# INDUSTRIAL & STORAGE SMART SOLUTIONS

TISSA

## AH1200 AIRTIGHT CABINETS FOR ZOOLOGY AND ORNITHOLOGY SCIENTIFIC COLLECTIONS



### DESCRIPTION /

Preservation cabinet for zoology and organic natural samples for scientific purposes. The airtight cabinet made by Salleras TISSA INDUSTRIAL for zoology collections is a quality made cabinet with all the necessary features for keeping and preserving zoological samples.

### USE /

Thanks to its size it may hold scientifically mounted skins of mostly any species of birds of our geographical environment, as well as most of the mammal species, except the greater ones. It is also ideal for insect and arthropod collections as well as for preservin organic samples, amongst which vegetable and animal tissue samples for anthropological, medical and forensic purpose.

### VERSATILITY /

On the base and top side of the cabinet, a series of guides have been mounted for easy introduction of a separation wall which may divide the cabinet interior to suit the user's needs.

This increases the cabinet's versatility by changing it from a big tray storage unit into a two column unit for smaller trays, if smaller samples are to be stored.

Columns of 9, 7.5 cm high trays / Columns of 18, 3.5 cm high trays

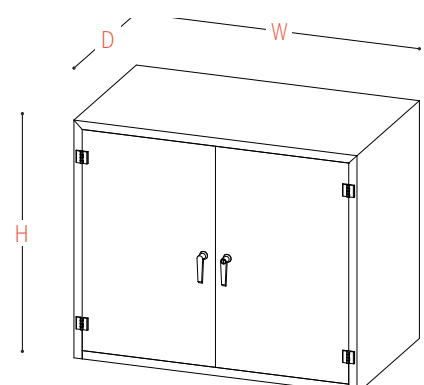
### COLOUR /

RAL 7032



\* Custom colours also available

REF.		W	D	H
AH1200	Cabinet	1200	700	1000 mm
BG75/9	Tray	1020	620	75 mm
BG35/18	Tray	1020	620	35 mm
BP75/18	Tray	480	620	75 mm
BP35/36	Tray	480	620	35 mm
PC36	Central wall			





### TRAYS /

All trays are equipped with plastic guides.  
All trays have label holders.  
Available in two different widths and depths.



### DOORS /

90° span to allow complete extraction of trays.  
Inner door equipped with compartment for insecticides and anti-humidity products.  
As the rest of the cabinet, doors are made of a double wall with insulating air-space.



### STURDINESS /

Doors and hinges pressure increase thanks to its beveled pushrods.  
Seamless cabinet made of 1.2 mm steel plate.



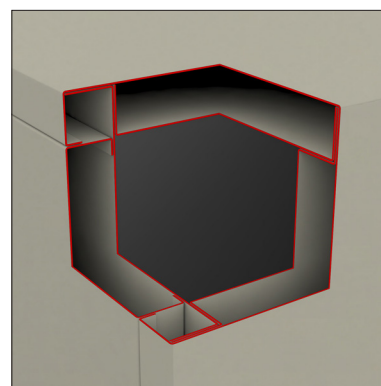
### AIRTIGHTNESS /

Neoprene gasket without adhesives.  
Made to avoid gas leaks.  
Checked with sandalwood stick combustion and anti-moth tablet emanation.



### FIXING /

The cabinet lacks any corners or hard access areas where plague insects may gather or hide.



### INSULATION /

Cabinet built with a double wall structure with insulating air-space all around it.  
Surface coating with epoxy paint.



Salleras **TISSA** Industrial S.A.

Ctra. Girona - Planes - Km 4,5  
17150 Sant Gregori (Girona)

T (+34) 972 42 80 58  
F (+34) 972 42 87 33

www.salleras-tissa.com  
info@salleras-tissa.com



R/150217