

# INDUSTRIAL & STORAGE SMART SOLUTIONS

TISSA

## HM200 & HM201 FLAT STORAGE

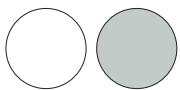


### DESCRIPTION /

- 20 drawers standard horizontal filing cabinet in epoxy painted steel sheet
- Standard cabinet composed by two units of 10 drawers, a top and a baseboard
- Guides with ball bearings
- Mechanical stop at the end of the guide
- Lock in each drawers unit
- Full length handles
- Maximum load: 25kg uniformly distributed in each drawer

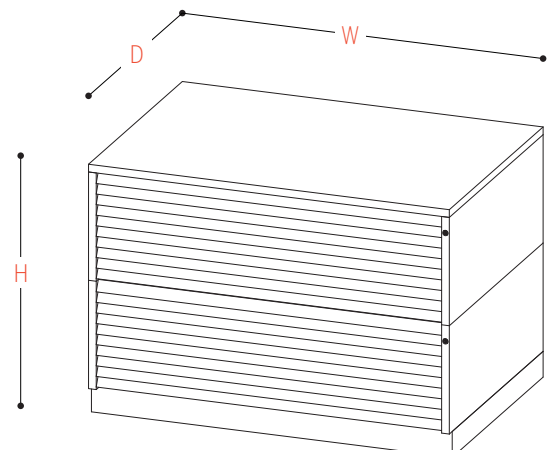
### COLOURS /

- White (RAL 9016) / Grey (RAL 7035)



\* Custom colours also available.

REF.		W	D	H
<b>HM200</b>	20 A0 Plus drawers cabinet	1410	x 970	x 970 mm
<b>HMA200</b>	10 extra A0 Plus drawers unit	1410	x 970	x 420 mm
<b>SMA0</b>	A0 Plus sheet	1410	x 970	x 30 mm
<b>ZMA0</b>	A0 Plus baseboard	1410	x 940	x 100 mm
<b>HM201</b>	20 A1 Plus drawers cabinet	1130	x 810	x 970 mm
<b>HMA201</b>	10 extra A1 Plus drawers unit	1130	x 810	x 420 mm
<b>SMA1</b>	A1 Plus sheet	1130	x 810	x 30 mm
<b>ZMA1</b>	A1 Plus baseboard	1130	x 780	x 100 mm
	Useful dimensions for A0 Plus drawers	1310	x 935	x 25 mm
	Useful dimensions for A1 Plus drawers	1030	x 725	x 25 mm



## OPTIONS /



Base on Ø60mm nylon **wheels** (2 fixed and 2 rotating).

**WH100** Wheeled base for HM200  
Dim.: 1410 x 940 x 115mm

**WH101** Wheeled base for HM201  
Dim.: 1130 x 810 x 115mm

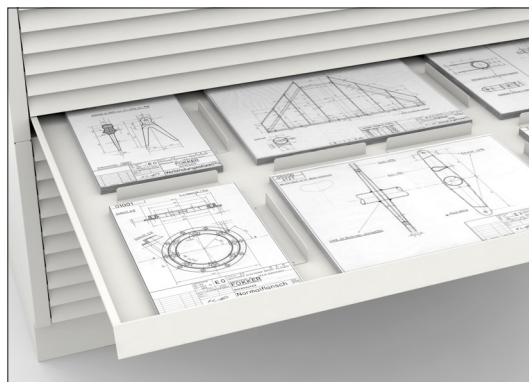
## ACCESSORIES /



### Paperweight

**PW100** Paperweight set for HM200

**PW101** Paperweight set for HM201



### Separators. 12 units set

**AH400** Separators set for HM200 / HM201

**TISSA**

Salleras **TISSA** Industrial S.A.

Ctra. Girona - Planes - Km 4,5  
17150 Sant Gregori (Girona)

T (+34) 972 42 80 58  
F (+34) 972 42 87 33

[www.salleras-tissa.com](http://www.salleras-tissa.com)  
[info@salleras-tissa.com](mailto:info@salleras-tissa.com)

ISO 9001  
BUREAU VERITAS  
Certification



R/150120