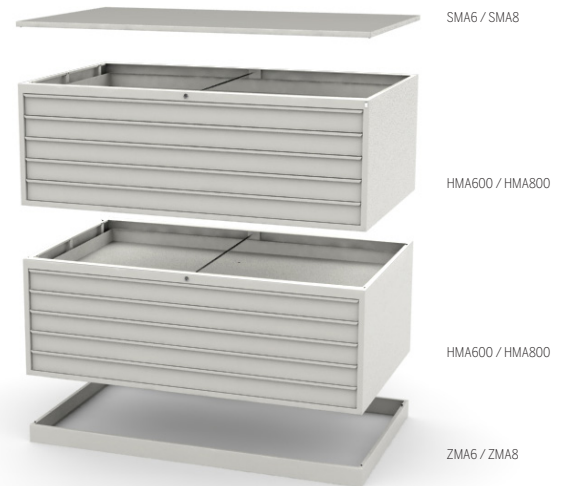


# INDUSTRIAL & STORAGE SMART SOLUTIONS

TISSA

## HM600 & HM800 FLAT STORAGE - BIG FORMAT

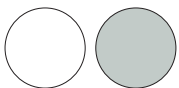


### DESCRIPTION /

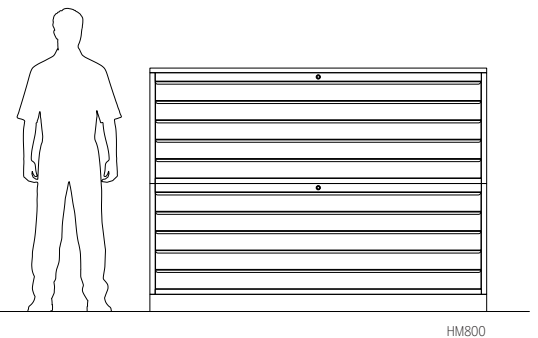
- 10 drawers horizontal filing cabinet in epoxy painted steel sheet
- Cabinet composed by two units of 5 drawers, a top and a baseboard
- Telescopic guides 70% opening
- Mechanical stop at the end of the guides
- Lock in each drawers unit
- Full length handles drawer front
- Maximum load: 25kg uniformly distributed in each drawer

### COLOURS /

- White (RAL 9016) / Grey (RAL 7035)



\* Custom colours also available

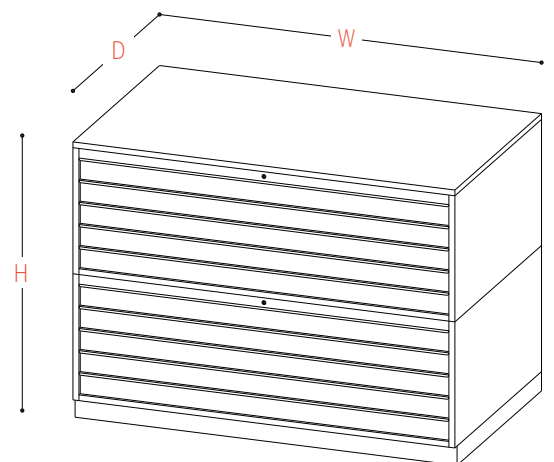


HM800

REF.		W	D	H
<b>HM600</b>	10 drawers cabinet	1800	1100	1440
<b>HMA600</b>	5 extra drawers unit	1800	1100	655
<b>SMA6</b>	Topboard	1800	1100	30
<b>ZMA6</b>	Baseboard	1800	1080	100
<b>HM800</b>	10 drawers cabinet	2000	1200	1440
<b>HMA800</b>	5 extra drawers unit	2000	1200	655
<b>SMA8</b>	Topboard	2000	1200	30
<b>ZMA8</b>	Baseboard	2000	1180	100

Useful dimensions for HM600 drawers 1690 x 1030 x 80 mm

Useful dimensions for HM800 drawers 1890 x 1130 x 80 mm



Salleras **TISSA** Industrial S.A.

Ctra. Girona - Planes - Km 4,5  
17150 Sant Gregori (Girona)

T (+34) 972 42 80 58  
F (+34) 972 42 87 33

www.salleras-tissa.com  
info@salleras-tissa.com

ISO 9001  
BUREAU VERITAS  
Certification



P/16021