

# INDUSTRIAL & STORAGE SMART SOLUTIONS



## TISSA COMPACT



### DESCRIPTION /

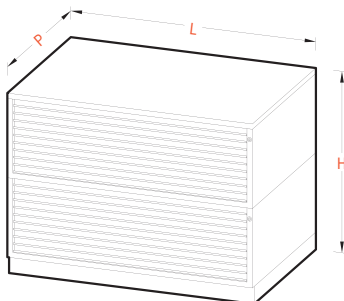
- Large-capacity horizontal archive with greater number of drawers. Innovative design of the front panel. In epoxy-painted metal sheet.
- Standard unit with 20 drawers. Composed of two modules of 10 drawers, top and base.
- Front panel of drawers with full-width handle.
- Guides fitted with ball bearings. Smooth operation. 70% extraction.
- Mechanical brake at guide end stop.
- Lock on each drawer module.
- Maximum load: 25 kg uniformly distributed in each drawer.
- Available with 6, 7, 8 and 10 drawers.
- Stackable up to 3 modules.
- Various options and accessories available.

### COLOUR /



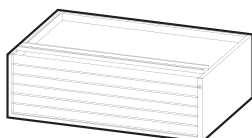
RAL 9002 - Texture  
Grey White  
*Possibility of other colors upon request*

### STANDARD CABINET /

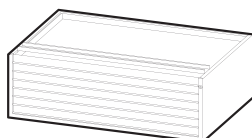


REF.	DESCRIPTION	FORMAT	DIMENSIONS		
			L	P	H
<b>CPA0.20</b>	Filing Cabinet with 20 Drawers	DIN A0 Plus	1410	970	1034
<b>CPA1.20</b>	Filing Cabinet with 20 Drawers	DIN A1 Plus	1130	810	1034

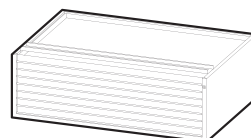
### EXTRA DRAWER UNITS /



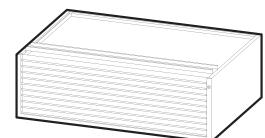
**CPMA0.6 / CPMA1.6**



**CPMA0.7 / CPMA1.7**



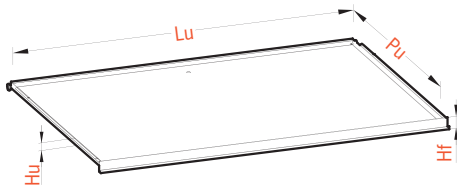
**CPMA0.8 / CPMA1.8**



**CPMA0.10 / CPMA1.10**

## DRAWERS /

The TISSA DINAMIC type drawers can be combined with those of the TISSA COMPACT model.



REF.	FRONT HEIGHT	MAX. LOAD	FORMAT	USEFULL DIM.		
	Hf			Cm	Lu	Pu
<b>CPFRA0.70</b>	70	25 Kg	DINA A0 Plus	1310	930	50 mm
<b>CPFRA0.60</b>	60	25 Kg	DINA A0 Plus	1310	930	40 mm
<b>CPFRA0.52</b>	52	25 Kg	DINA A0 Plus	1310	930	30 mm
<b>CPFRA0.42</b>	210	25 Kg	DINA A0 Plus	1310	930	25 mm
<b>CPFRA1.70</b>	70	25 Kg	DINA A1 Plus	1030	770	50 mm
<b>CPFRA1.60</b>	60	25 Kg	DINA A1 Plus	1030	770	40 mm
<b>CPFRA1.52</b>	52	25 Kg	DINA A1 Plus	1030	770	30 mm
<b>CPFRA1.42</b>	42	25 Kg	DINA A1 Plus	1030	770	25 mm

## COMPLEMENTS /



- Steel sheet top (SMA0 / SMA1)
- Steel sheet base (ZMA0 / ZMA1)



- Base with legs (STMA0 / STMA1)



- Base with wheels (WHMA01)

## EXTRA OPTIONS /



- 40Kg drawers (evenly distributed)

## ACCESSORIES /



- **AH40** Separators (x12 u.)



- **PWA0 / PWA1** Paperweight

Salleras **TISSA** Industrial S.A.

Ctra. Girona - Planes - Km 4,5  
17150 Sant Gregori (Girona)

T (+34) 972 42 80 58  
F (+34) 972 42 87 33

[www.salleras-tissa.com](http://www.salleras-tissa.com)  
[info@salleras-tissa.com](mailto:info@salleras-tissa.com)

