

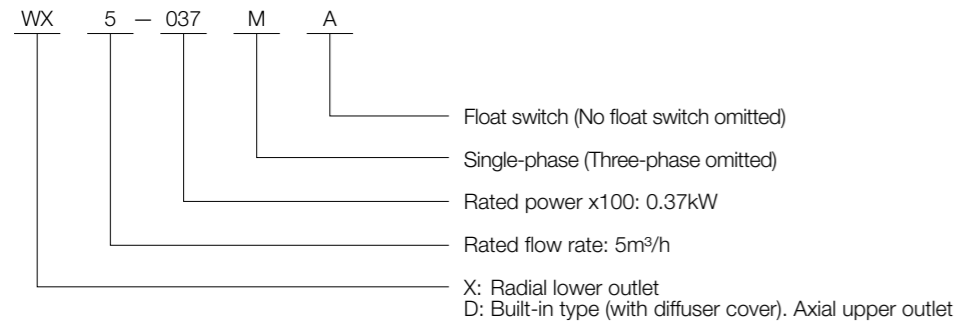
hydroo[®]

**WDROO SERIES
WX, WD
50HZ / 60HZ**

**Stainless Steel Submersible
Electric Pump**



Model Definition



Structure Feature

All stainless steel, rusty proof, corrosion resisting;
WX, WD Series stainless steel structure, light weight, easy operation, motor pump in a whole, dual mechanical seal, high efficiency.

Operating Conditions

Submersible pump, max submerged depth is 5m;
Max. temperature of pumped liquid: 40°C;
Solids diameter should be less than 2mm;
Motor: Insulation class F, protection class: IP68;
Single phase pump, with capacitor and protection;
PH range 4-10;
Double mechanical seal: CSI/CSI; M106K/CSI
Others: Standard cable length is 10m, flow switch is optional for single phase pump.

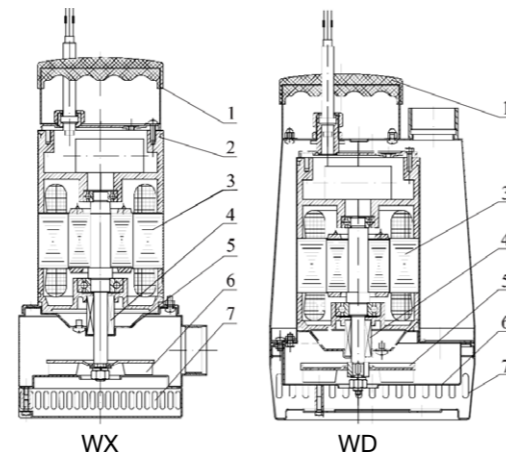
Applications

Garden irrigation, cultivation, municipal flood drainage and fountain;
Sea water or similar as water which contains normal corrosive liquid;
Drainage for river water, lake, rain water.

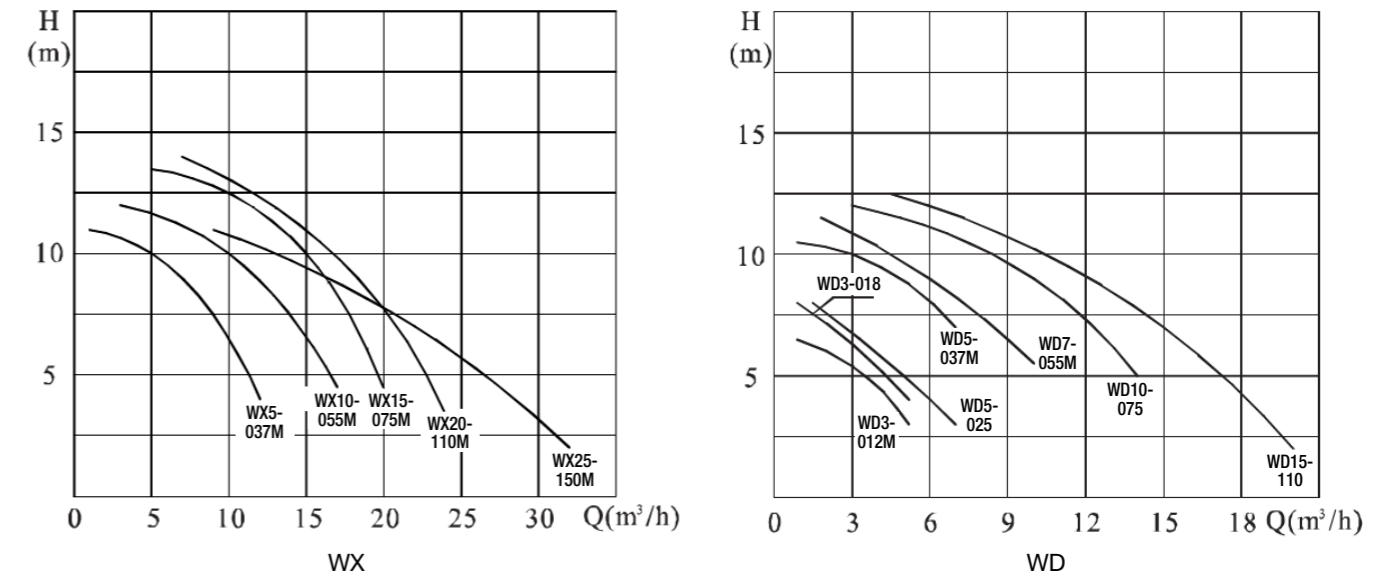
Structure, Material

SN	Name	Material
1	Handle	
2	Upper cover	SS304
3	Motor	
4	Double mechanical seal	Sealing Washer Motor terminal Pump Side
		NBR B/SIC SIC/SIC
5	Casing	SS304
6	Impeller	SS304
7	Strainer	SS304
8	Base	SS304

*: B representative Carbon; SIC representative Silicon Carbide.



Performance Scope

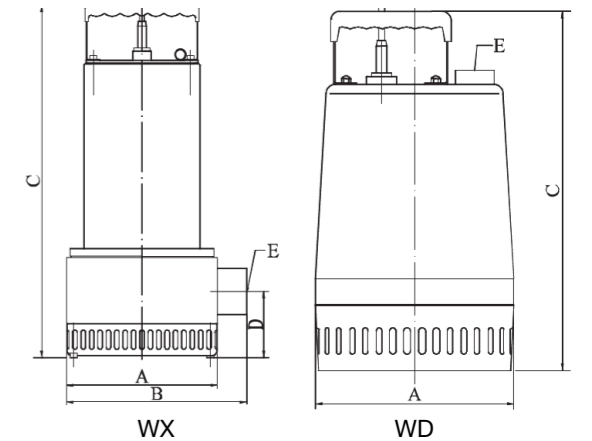


Technical Parameter

Model	Flow rate m ³ /h	Head m	Power kW	Voltage V	Electricity A	Discharge mm	Weight kg
WX5-037M	5	10	0.37	230	4.2	G1.5" F	12
WX10-055M	10	10	0.55	230	5.0	G1.5" F	13
WX15-075	15	10	0.75	230/400	5.4/2	G1.5" F	14
WX20-110	20	7.5	1.1	230/400	6.5/2.6	G2" F	15
WX25-150	25	6	1.5	230/400	10.2/3.6	G2" F	17
WD3-012M	3	5	0.12	230	1.6	G1.25" F	6
WD3-018M	3	7	0.18	230	1.7	G1.25" F	6
WD5-025M	5	5	0.25	230	2.0	G1.25" F	7
WD5-037M	5	10	0.37	230	4.2	G1.5" F	9
WD7-055M	7	9.5	0.55	230	5.0	G1.5" F	14
WD10-075	10	9	0.75	230/400	5.4/2	G1.5" F	14
WD15-110	15	7	1.1	230/400	6.5/2.6	G1.5" F	16

Simplified drawing and installation dimensions

Model	A mm	B mm	C mm	D mm	E
WX5-037M	170	195	360	68	G1.5" F
WX10-055M	170	195	360	68	G1.5" F
WX15-075	170	195	385	68	G1.5" F
WX20-110	170	210	385	68	G2" F
WX25-150	170	210	405	68	G2" F
WD3-012M	130	-	280	-	G1.25" F
WD3-018M	130	-	280	-	G1.25" F
WD5-025M	150	-	290	-	G1.25" F
WD5-037M	220	-	360	-	G1.5" F
WD7-055M	220	-	360	-	G1.5" F
WD10-075	220	-	380	-	G1.5" F
WD15-110	220	-	380	-	G1.5" F



hydroo®

Be pumping partners

HYDROO
Pump Industries SL

Carrer La Banyeta Nova, 11
Polígon Industrial La Banyeta
17843 Palol de Revardit
Catalonia. Spain
Tel. +34 972 394 654
E-mail: info@hydroo.com
www.hydroo.com

201743-CTL-WXWD-EN
subject to amendments

