

HJ SERIES

Stainless steel
jet pump

hydroo®



Pump

1. Stainless steel AISI 304 pump body
2. AISI 304 impeller
3. AISI 304 shaft
4. Max. liquid temperature: +60°C
5. Max. suction: +9m
6. Handle in the package available

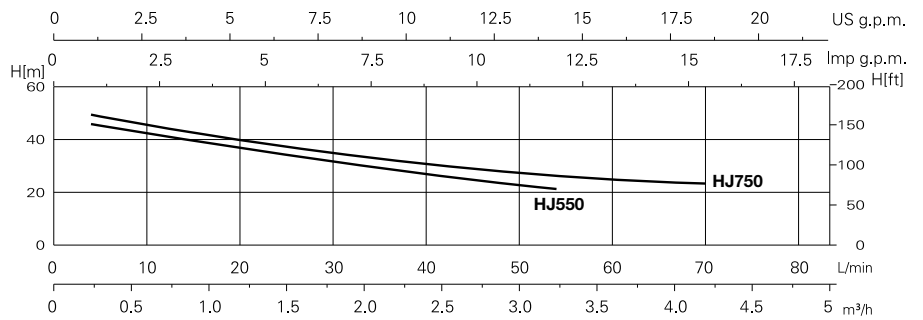
Motor

1. 1 x 220-240V, 50Hz
2. Built-in thermal protector for single phase motor
3. Insulation class:B
4. Protection class: IP44
5. Max. ambient temperature: +40°C

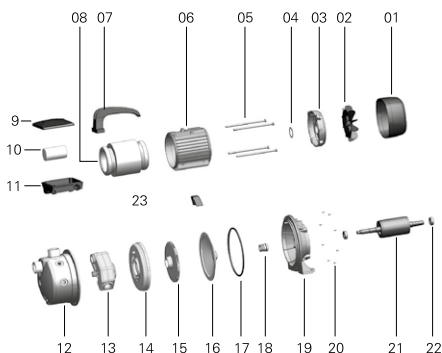
SELF-PRIMING HJ PUMP SERIES

Performance chart at n=2900r/min

| Pump Type | Power | | Inlet/outlet | Max. Flow | Max. Head | Max. Suct | GW |
|-----------|-------|------|--------------|-----------|-----------|-----------|-----|
| | [kW] | [Hp] | | | | | |
| HJ550 | 0,55 | 0,75 | 1"x1" | 58 | 45 | 9 | 9,0 |
| HJ750 | 0,75 | 1,0 | 1"x1" | 63 | 50 | 9 | 9,7 |



EXPLODED VIEW AND SPARE PARTS



| No | Name |
|----|-------------------|
| 01 | Fan cover |
| 02 | Fan |
| 03 | Rear end cover |
| 04 | Wave washer |
| 05 | Hexagon head bolt |
| 06 | Base |
| 07 | Handle |
| 08 | Stator |

| No | Name |
|----|---------------------------|
| 09 | Capacitor cover |
| 10 | Capacitor |
| 11 | Capacitor box |
| 12 | Stainless steel pump body |
| 13 | Injector |
| 14 | Diffuser |
| 15 | Impeller |
| 16 | Seal holder |

| No | Name |
|----|------------------------|
| 17 | 'O' ring |
| 18 | Mechanical seal |
| 19 | Pump support |
| 20 | Socket head cap screws |
| 21 | Rotor |
| 22 | Bearing |
| 23 | Arm-brace |