

**hydroo<sup>®</sup>**

**NDROO SERIES**

**HQX**

**Stainless steel  
self-priming  
gas-liquid pump  
50Hz**



## PRESENTATION

**Hydroo Pump Industries SL is an enterprise specialised in the research, development and large-scale production of Stainless Steel centrifugal pumps. We have a vertical integration of the production processes, standing out stamping, welding and motor wiring in 6 value centers and production units. All of them with a high performance management on pump engineering and production quality.**

**HYDROO has set up a wide range of pumping solutions for many applications as building services, industry, irrigation and industrial process. Customers enjoy of the highest performance in booster sets and pressurization, fire-fighting sets, pumping of underground water, HVAC, drainage and sewage, utilities, desalination and OEM integrations. Versions in 50 Hz and 60 Hz are available, as well as any modification on materials, on request.**

**Global water challenges require excellence in pumping technologies**

**and close cooperation between pump designers, manufacturers and pump engineers. In order to better meet the customers' needs and requirements our company is facing an expansion of its operations worldwide, providing timely and effective services in more than 30 countries. With tight relationships in many regions, we're proud to introduce a new regional value center for Europe. We are based near Barcelona at the Girona industrial area. Hydroo is a trademark to forge excellent and successful business relationships with our value customers by means of an operative assembling unit and an application engineering unit. HYDROO trademark wants to symbolize the firm commitment for a high level service to our value partners.**

**At Hydroo we bet on a high level service to our value pump partners.**

# HQX

Stainless steel  
self-priming  
gas-liquid pump

## Applications

Air-float treatment facilities  
Ozone water generator  
Heavy-oxygen-enriched  
water generator  
Biochemical aeration  
devices  
Other industrial  
applications

## Description

HQX and HQXL designed for clear and low viscosity liquid, or liquid containing extra-fine foreign matters.

HQXB and HQXBL designed for clear and low viscosity liquid, or explosive flammable liquid wick containing very little solids.

It is simple in structure and operation, easy in maintenance and durable and needs less components. It has a good self suction capacity and a wide application range.

## Performance range

Flow range: 0.5 ~ 18 m<sup>3</sup>/h

Head: 10 ~ 70 m

Temperature: -15 °C ~ +120 °C

Speed: 2900 rpm or 3500 rpm

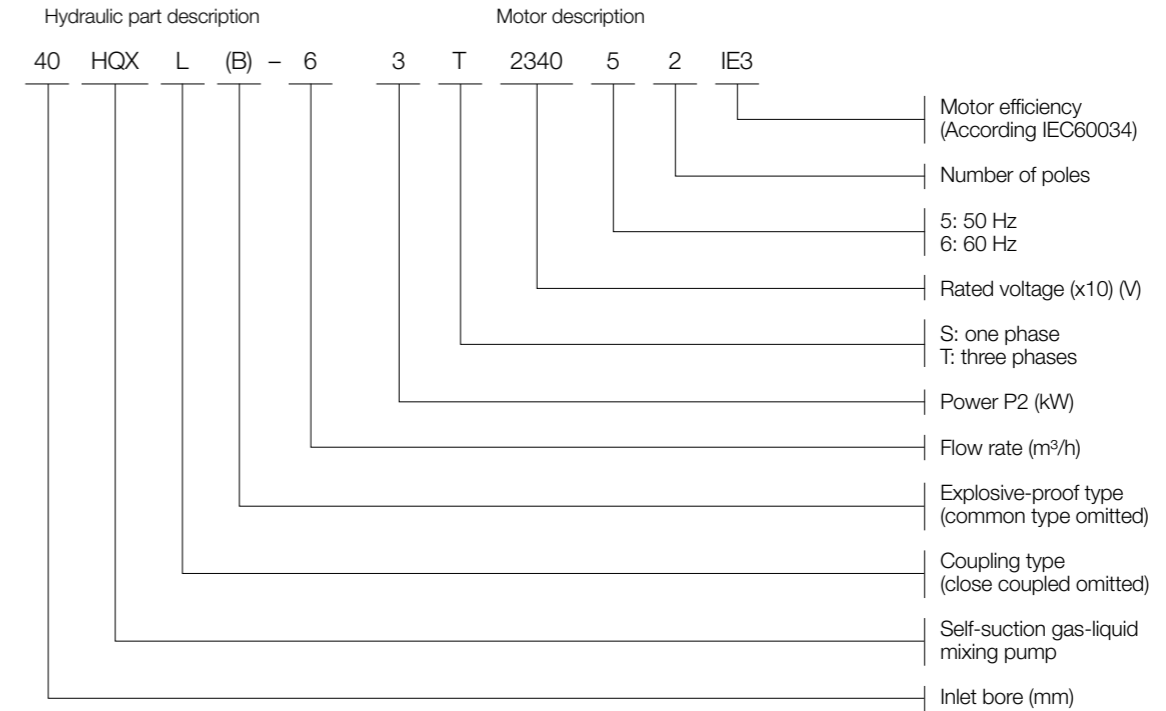
Power: up to 7,5 kW

## Standard material

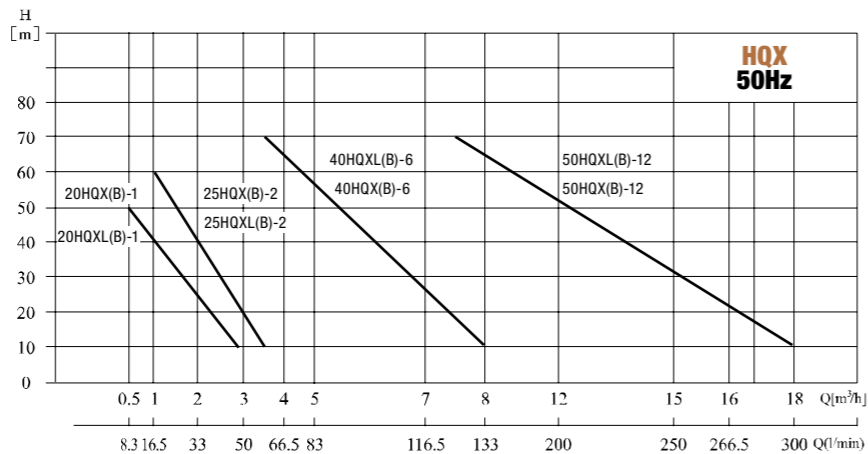
AISI304 Stainless steel



## Definition of model



## Performance scope



## Performance table

Model	Motor			H (m)	Q (m <sup>3</sup> /h)							
	(kW)	(hp)	PH		10	20	30	40	50	60	70	
20HQX-1	0.55	0.75	1PH 3PH	Q [m <sup>3</sup> /h]	2.8	2.2	1.6	1	0.4			
20HQXB-1			3PH									
25HQX-2	1.1	1.5	1PH 3PH		3.5	3	2.5	2	1.5	1		
25HQXB-2			3PH									
40HQX-6	3	4	3PH		8	7.4	6.7	6	5.2	4.3	3.5	
40HQXB-6					4	5.5						
50HQX-12	5.5	7.5	3PH		18	16.4	15	13.6	12	10	7.5	
50HQXB-12					7.5	10						
20HQXL-1	0.55	0.75	1PH 3PH		Q [m <sup>3</sup> /h]	2.8	2.2	1.6	1	0.4		
20HQXLB-1			3PH									
25HQX2	1.1	1.5	1PH 3PH	3.5		3	2.5	2	1.5	1		
25HQXLB-2			3PH									
40HQXL-6	4	5.5	3PH	8		7.4	6.7	6	5.2	4.3	3.5	
40HQXLB-6												
50HQXL-12	7.5	10	3PH	18		16.4	15	13.6	12	10	7.5	
50HQXLB-12												

## Working conditions

- HQX and HQXL designed for clear and low viscosity liquid, or liquid containing extra-fine foreign matters.

- HQXB and HQXLB designed for clear and low viscosity liquid, or explosive flammable liquid which containing very little solids.

- Liquid Temperature: -15°C-120°C

- Maximum ambient temperature: +40°C

- Gas-liquid ratio 1:9 (gas suction volume 8-10%)

- Inlet: horizontal, outlet: Vertical

## Application

- Air suspension treating equipment, ozone water preparing equipment, and biological treating equipment.

- Feeding of heating or cooling medium for various temperature adjusting devices.

- Various filters: sucking or high pressure transferring low viscosity liquid from underground tank, such as gasoline and various solvent.

- Misting treatment of clear water, pure water, foods, chemical solution and waste solution.

- Strict applications (continuous running, abrupt variation in hydraulic pressure): such as small scale steam boiler, high building water supply, high pressure water injection to high pressure tank, and suction from vacuum tank.

- Sampling from river or tank, transfer foamable liquid, transfer liquid through long and horizontal pipeline, where air pockets likely occur.

## Features

- It can suck water while sucking gas and pressurize and mix them inside it. Ultra fine air bubble 20-30 4. It renders a good gas liquid solving effect.

- It has stable performances, high efficiency and low noise level, and its gas liquid solving efficiency is as high as twice that of the traditional mode.

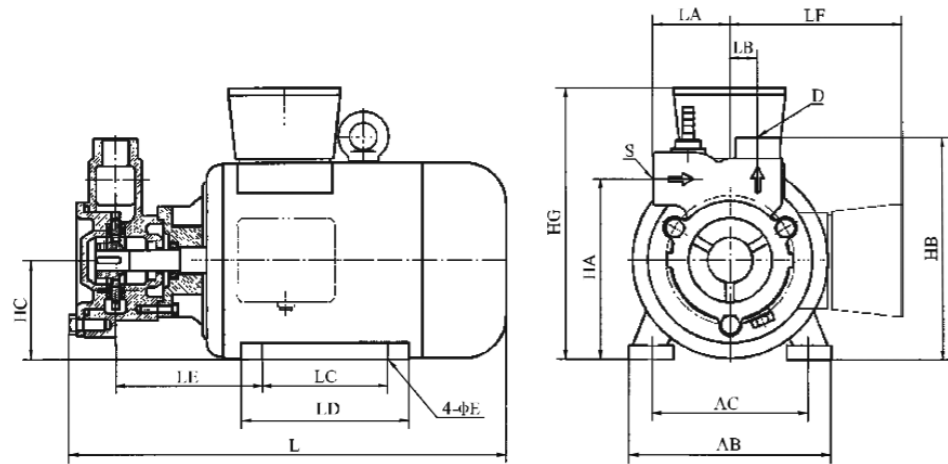
- When it is used in air suspension unit, air compressors, various mixers, high pressure air solving tanks and releasers may be saved and thus the weakness of instable air supply and boiling of large air bubble which likely occur in traditional working model will be eliminated.

- When it is used in ozone water preparing equipment, many mixers and large oxidation towers may be saved and thus the cost for equipment will be greatly reduced. In addition, its gas liquid solving ratio may exceed 95%.

- It is simple in structure and operation, easy in maintenance and durable and needs less components. It has a good self suction capacity and a wide application range.

# HQX

## Installation sketch

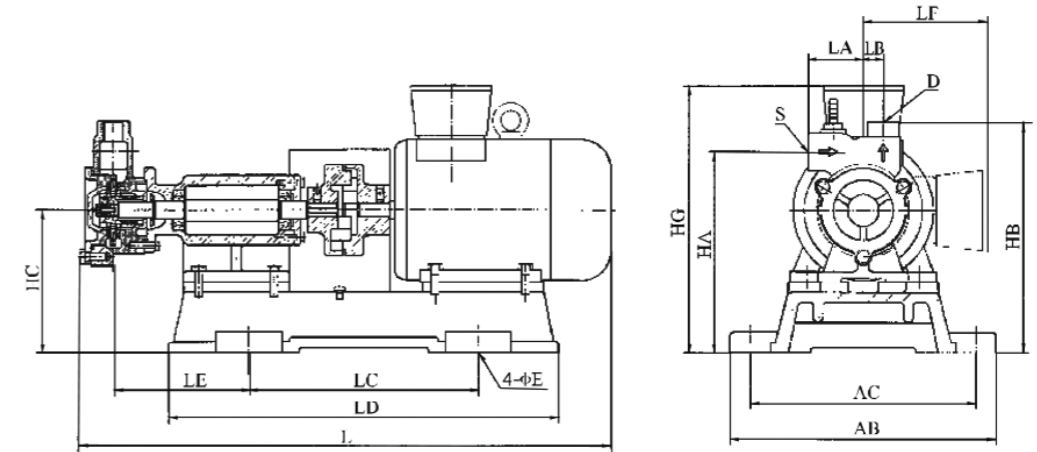


## Installation dimensions

Model	HA	HB	HC	HG	AB	AC	L	LA	LB	LC	LD	LE	LF	S	D	E	Weight (kg)
20HQX-1	128	158	71	195	150	110	320	55	20	90	120	100		G $\frac{3}{4}$	G $\frac{1}{2}$	7	10
20HQXB-1	128	158	71	260	150	110	320	55	20	90	120	100		G $\frac{3}{4}$	G $\frac{1}{2}$	7	20
25HQX-2	150	185	80	214	165	125	327	60	28	100	130	105	145	G1	G $\frac{3}{4}$	10	14
25HQXB-2	150	185	80	340	165	125	327	60	28	100	130	105		G1	G $\frac{3}{4}$	10	27
40HQX-6	185	230	100	270	200	160	444	70	40	140	180	135	180	G1 $\frac{1}{2}$	G1 $\frac{1}{4}$	12	36
40HQXB-6	197	242	112	400	225	190	451	70	40	140	180	142		G1 $\frac{1}{2}$	G1 $\frac{1}{4}$	12	58
50HQX-12	232	290	132	345	280	216	570	77	47	140	200	190	210	G2	G1 $\frac{1}{2}$	12	63
50HQXB-12	232	290	132	470	280	216	570	77	47	140	200	190		G2	G1 $\frac{1}{2}$	12	91

# HQXL

## Installation sketch



## Installation dimensions

Model	HA	HB	HC	HG	AB	AC	L	LA	LB	LC	LD	LE	LF	S	D	E	Weight (kg)
20HQXL-1	198	228	141	265	265	225	532	55	20	228	388	135		G $\frac{3}{4}$	G $\frac{1}{2}$	Φ8.5	26
20HQXLB-1	198	228	141	330	265	225	532	55	20	228	388	135		G $\frac{3}{4}$	G $\frac{1}{2}$	Φ8.5	36
25HQXL-2	220	255	150	284	275	235	610	60	28	293	453	85	145	G1	G $\frac{3}{4}$	Φ11	36
25HQXLB-2	220	255	150	410	275	235	610	60	28	293	453	85		G1	G $\frac{3}{4}$	Φ11	48
40HQXL-6	255	300	170	340	345	305	721	70	40	363	523	152	180	G1 $\frac{1}{2}$	G1 $\frac{1}{4}$	Φ11	65
40HQXLB-6	265	312	182	470	345	305	721	70	40	363	523	152		G1 $\frac{1}{2}$	G1 $\frac{1}{4}$	Φ11	88
50HQXL-12	302	360	203	415	390	350	816	77	47	450	610	158	210	G2	G1 $\frac{1}{2}$	Φ11	99
50HQXLB-12	302	360	203	540	390	350	816	77	47	450	610	158		G2	G1 $\frac{1}{2}$	Φ11	128

# hydroo®

Be pumping partners

**HYDROO**  
**Pump Industries SL**

Carrer La Banyeta Nova, 11  
Polígon Industrial La Banyeta  
17843 Palol de Revardit  
Catalonia. Spain  
Tel. +34 972 394 654  
E-mail: [info@hydroo.com](mailto:info@hydroo.com)  
[www.hydroo.com](http://www.hydroo.com)

201847-CTL-HQX-EN  
subject to amendments

