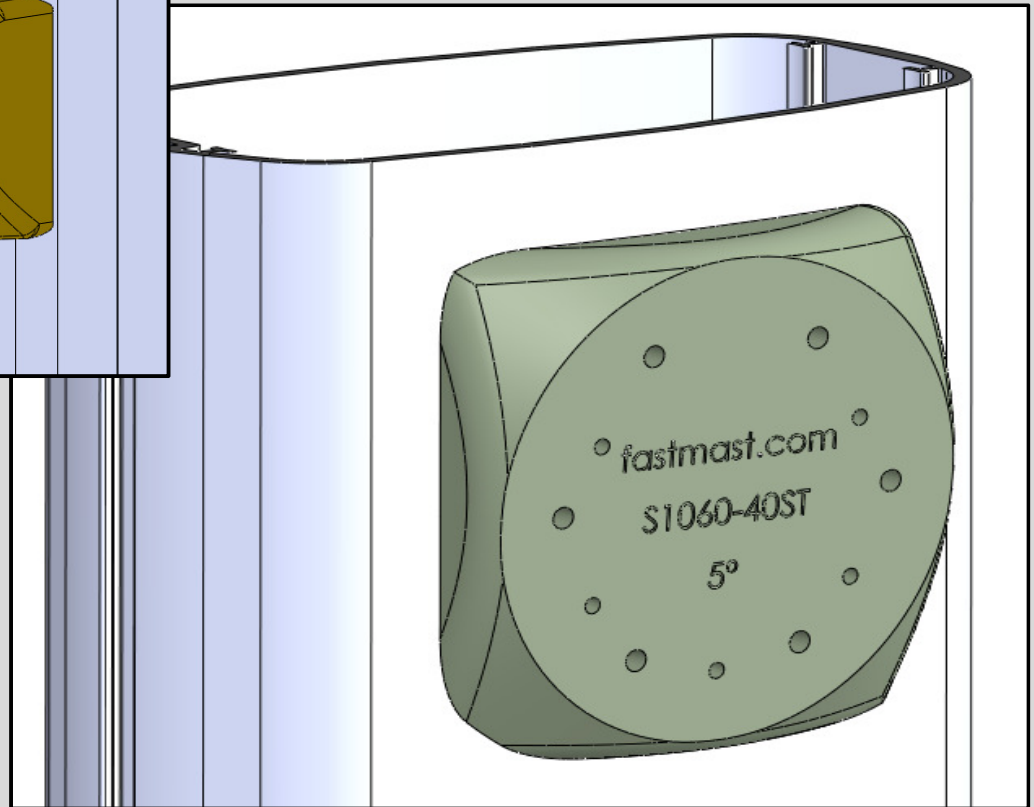
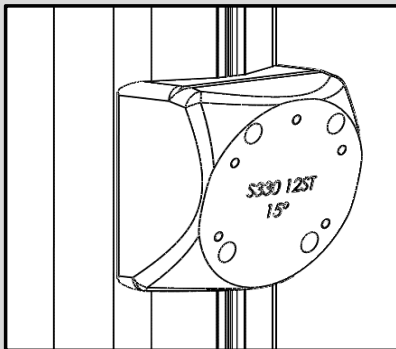
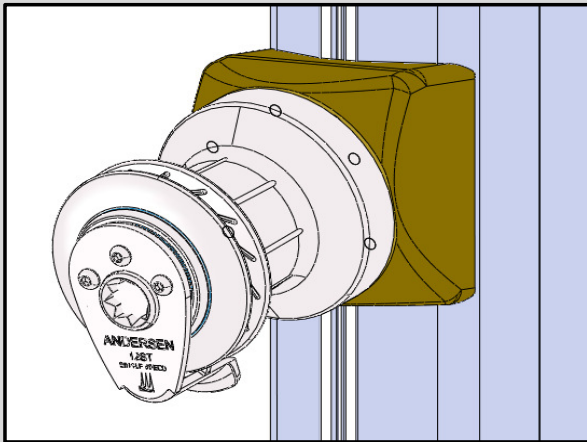


BASE WINCH



TECHNICAL DETAILS



WINCH STEP IN ALUMINIUM

Mast section shapes and dimensions on request.