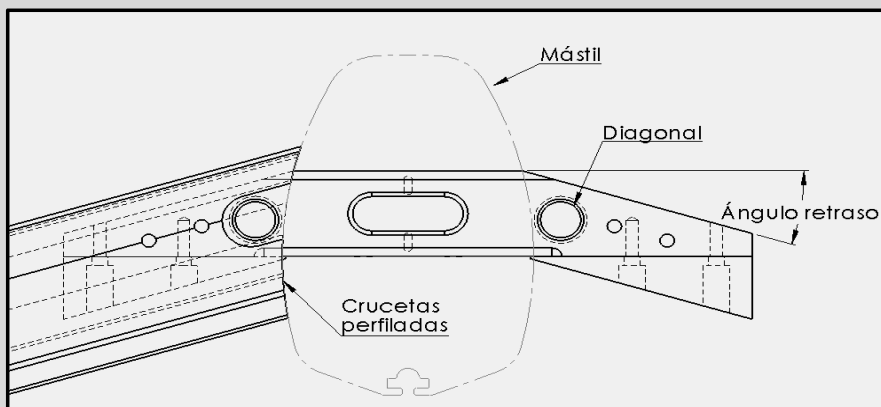
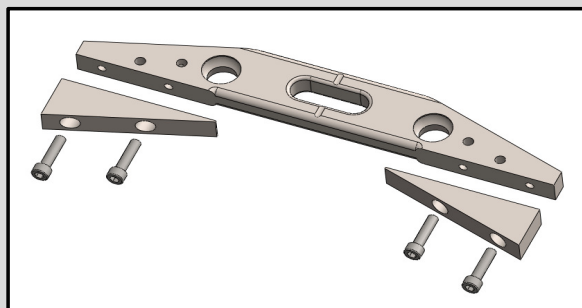
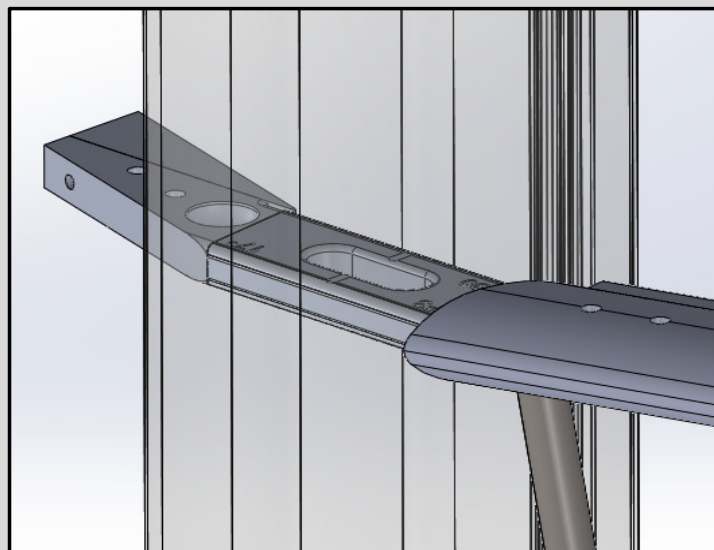
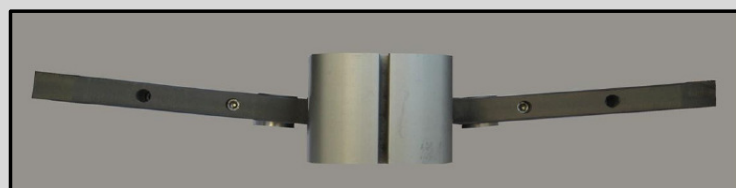


## TECHNICAL DETAILS



THRU BAR	SPREADER SECTION	DIMENSIONS (mm)
TB 2		19 x 55
TB 3		30 x 74
TB 4		35 x 105
TB 5		44 x 154,5
TB 6		53 x 167