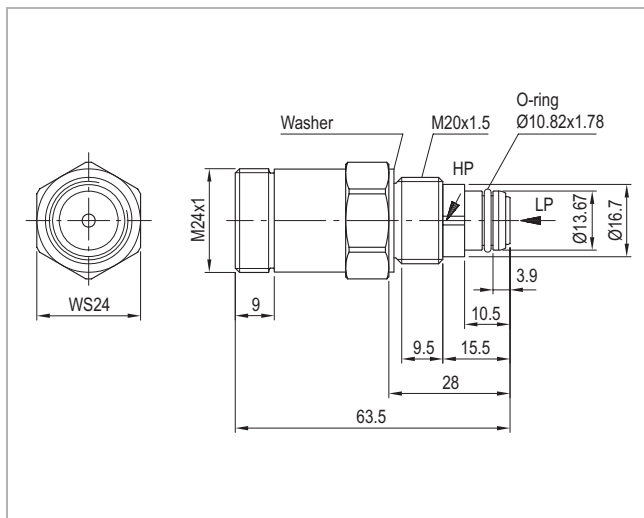


DELTA-P® Screw-in part

DELTA-P®



DELTA-P



Dimensions in mm

Application

Monitoring the lubrication system is especially important in refrigerant compressors.

KRIWAN's differential pressure monitoring is a very reliable method for piston compressors.

It consists of two parts: the screw-in part and a separately available evaluation circuitry.

The DELTA-P screw-in part is screwed directly into the pump housing, and is connected via internal channels to the suction and high pressure of the oil pump. This eliminates external pipe lines and flare connections.

The screw-in part does not need to be disassembled when mounting or exchanging the evaluation circuitry. The refrigeration circuit remains closed.

Functional description

The difference between high pressure and suction pressure influences the position of a movable piston. This is registered by the mounted evaluation circuitry.

Installation instructions

Installation: The maximum torque of the screw-in part is 75 Nm and needs to be ensured by a ring spanner or a socket key. After installation, check for leaks.



Installation, maintenance and operation must be carried out by a specialist. The valid European and national standards for connecting refrigeration plants must be observed.

Technical specifications

| | |
|-------------------------------|--|
| Media temperature | -30...+90°C |
| Permissible relative humidity | 10-95% RH without condensation |
| Operating pressure | Max. 60bar |
| Test pressure | 90bar |
| Burst pressure | Min. 300bar |
| Permissible media | Non-corrosive media which does not attack the material. A test is recommended for individual cases. |
| Housing material | Brass |
| Differential pressure | 0.65bar |
| Washer | 20x24mm Cu |
| Weight | Approx. 150g |

Order data

| | |
|---|--|
| DELTA-P Screw-in part | 02 D 555 |
| Accessories and application information | see www.kriwan.com |