

Filter Drier Compact bead WEU Parker Sporlan WorldSeries™



Parker Sporlan **WorldSeries™ WEU liquid line filters driers** ensure protection of refrigeration and air-conditioning systems from moisture, acids, and solid particles. **WEU liquid filter driers contain 100% 3Å molecular sieve** in compacted bead for a maximum efficiency of dehydration.

WEU are suitable for all CFC, HCFC and HFC refrigerant and associated oils.

WEU liquid line filters driers contribute to maintain the cleanliness of circuits, the efficiency of the systems and prolongs their life expectancies. This reduces the cost of functioning.

Benefits

Max Working Pressure	45 bar (652 psig)
Temperature Range	-40°C to +80°C

- **Leak Testing:** 100% Helium leak tested
- **Coating:** Polyester coating giving protection to 500 hours salt spray
- **Filtration:** 20 microns
- **Approvals:** UL file no. SA 12220
PED 97/23/EC - article 3.3

The physical size of the **WEU filters driers** range allows the product to be manufactured under the PED category (art. 3.3) which does not require the "CE" marking.

Technical Data

WEU

Drying Capacity - kg of refrigerant*

WEU series	R134a		R404A		R407C		R410A		R 22	
	24°C	52°C	24°C	52°C	24°C	52°C	24°C	52°C	24°C	52°C
	5	4	6	5	5	4	4	3	5	4
WEU 05	8	7	10	9	8	7	8	7	8	7
WEU 08	19	15	22	18	17	15	15	12	17	14
WEU 16	25	22	29	24	22	18	19	15	22	17
WEU 30	53	44	57	48	17	40	40	34	46	39
WEU 41	75	62	84	71	68	55	57	49	67	58
WEU 75	132	113	151	129	121	105	103	86	121	103

(*) Drying capacity is the results of standard tests before and after drying from 1050ppm to 50ppm

For all requests, consult your nearest Parker Sporlan Wholesaler or contact us on:
racecustomerservice@parker.com / www.parker.com/race

Technical Data

WEU Flare (SAE) Connections Male / Male

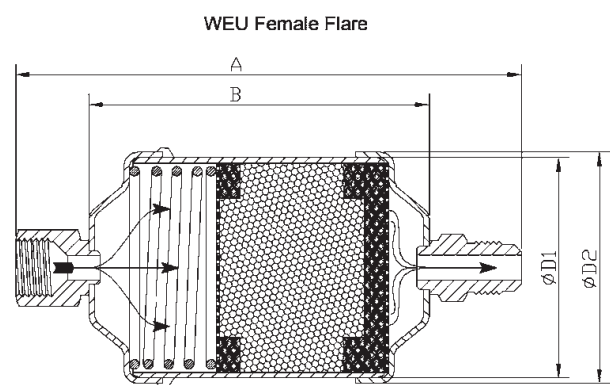
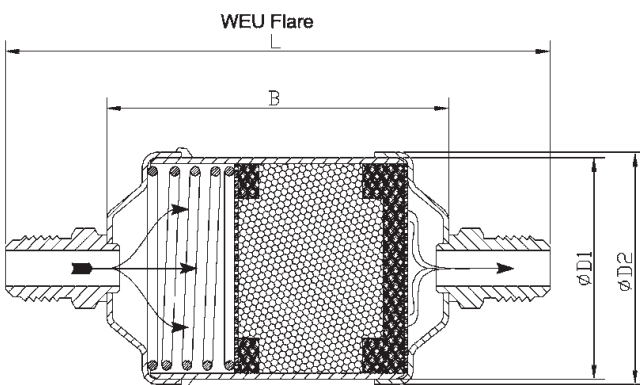
Part Number	Connections SAE	Flow Capacity (kW) (1)				Dimensions (mm)				Weight kg
		R134a	R404A R507	R407C	R410A R22	L	B	D1	D2	
WEU032F	1/4"	5.9	4.3	6.1	6.4	107.1	66.6	50.8	53.8	0.30
WEU052F	1/4"	6.4	4.6	6.6	6.9	116.7	76.2	50.8	53.8	0.32
WEU053F	3/8"	16.6	12.0	17.0	17.9	129.5	76.2	50.8	53.8	0.38
WEU082F	1/4"	7.0	5.0	7.1	7.5	138.8	98.3	63.5	66.7	0.57
WEU083F	3/8"	17.1	12.3	17.5	18.4	151.6	98.3	63.5	66.7	0.60
WEU084F	1/2"	25.9	18.7	26.5	27.9	156.6	98.3	63.5	66.7	0.52
WEU162F	1/4"	7.0	5.0	7.1	7.5	157.8	117.3	63.5	66.7	0.64
WEU163F	3/8"	18.9	13.7	19.4	20.4	170.6	117.3	63.5	66.7	0.60
WEU164F	1/2"	34.1	24.7	35.0	36.8	175.6	117.3	63.5	66.7	0.67
WEU165F	5/8"	45.9	33.2	47.0	49.5	183.1	117.3	63.5	66.7	0.70
WEU303F	3/8"	19.4	14.0	19.9	20.9	249.1	195.8	76.2	79.8	1.40
WEU304F	1/2"	37.4	27.0	38.3	40.3	254.1	195.8	76.2	79.8	1.40

(1) Liquid capacity in accordance with ARI 710-86 standard
 Te = -15°C, Tc = 30°C, Δp = 0.07 bar (1 psig)

WEU Flare (SAE) Connections Male/Female

Part Number	Connections SAE	Flow Capacity (kW) (1)				Dimensions (mm)				Weight kg
		R134a	R404A R507	R407C	R410A R22	L	B	D1	D2	
WEU032FM	1/4"	5.9	4.3	6.1	6.4	107.5	66.6	50.8	53.8	0.30
WEU052FM	1/4"	6.4	4.6	6.6	6.9	117.1	76.2	50.8	53.8	0.32
WEU053FM	3/8"	16.6	12.0	17.0	17.9	124.0	76.2	50.8	53.8	0.38
WEU083FM	3/8"	17.1	12.3	17.5	18.4	146.1	98.3	63.5	66.7	0.60
WEU162FM	1/4"	7.0	5.0	7.1	7.5	158.2	117.3	63.5	66.7	0.64

(1) Liquid capacity in accordance with ARI 710-86 standard.
 Te = -15°C, Tc = 30°C, Δp = 0.07 bar (1 psig).
 Other working conditions see pages 223 to 225.



Accurate at the time of going to print.

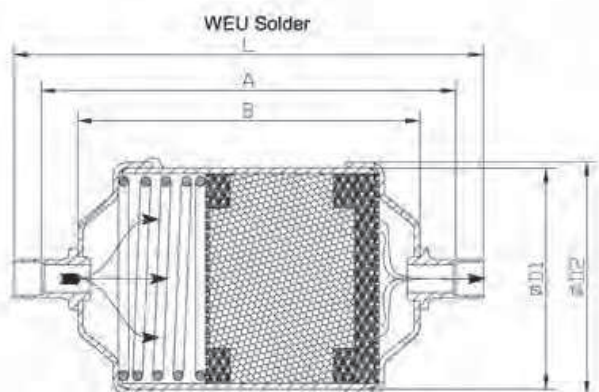
For all requests, consult your nearest Parker Sporlan Wholesaler or contact us on:
racecustomerservice@parker.com / www.parker.com/race

Technical Data

WEU Solder (ODF) Connections in inches

Part Number	Connections ODF	Flow Capacity (kW) (1)				Dimensions (mm)					Weight kg
		R134a	R404A R507	R407C	R410A R22	L	A	B	D1	D2	
WEU032S	1/4"	5.9	4.3	6.1	6.4	103.2	87.4	66.6	50.8	53.8	0.29
WEU052S	1/4"	6.4	4.6	6.6	6.9	112.8	97.0	76.2	50.8	53.8	0.30
WEU053S	3/8"	16.6	12.0	17.0	17.9	112.8	97.0	76.2	50.8	53.8	0.34
WEU082S	1/4"	7.0	5.0	7.1	7.5	134.9	119.1	98.3	63.5	66.7	0.26
WEU083S	3/8"	17.1	12.3	17.5	18.4	134.9	119.1	98.3	63.5	66.7	0.55
WEU084S	1/2"	25.9	18.7	26.5	27.9	134.9	116.1	98.3	63.5	66.7	0.26
WEU162S	1/4"	7.0	5.0	7.1	7.5	153.9	138.1	117.3	63.5	66.7	0.70
WEU163S	3/8"	18.9	13.7	19.4	20.4	153.9	138.1	117.3	63.5	66.7	0.59
WEU164S	1/2"	34.1	24.7	35.0	36.8	153.9	135.1	117.3	63.5	66.7	0.58
WEU165S	5/8"	45.9	33.2	47.0	49.5	159.9	134.5	117.3	63.5	66.7	0.70
WEU303S	3/8"	19.4	14.0	19.9	20.9	232.4	216.6	195.8	76.2	79.8	1.30
WEU304S	1/2"	37.4	27.0	38.3	40.3	232.4	213.6	195.8	76.2	79.8	1.30
WEU305S	5/8"	47.6	34.4	48.7	51.3	238.4	213.0	195.8	76.2	79.8	1.30
WEU307S	7/8"	57.7	41.7	59.1	62.2	259.3	221.1	195.8	76.2	79.8	1.40
WEU414S	1/2"	39.2	28.3	40.2	42.3	234.5	215.7	197.9	88.9	92.7	1.30
WEU415S	5/8"	50.7	36.6	52.0	54.7	240.5	215.1	197.9	88.9	92.7	1.65
WEU417S	7/8"	71.5	51.7	73.2	77.1	261.4	223.2	197.9	88.9	92.7	1.68
WEU754S	1/2"	44.0	31.8	45.1	47.5	320.3	301.5	283.7	88.9	92.7	2.00
WEU755S	5/8"	56.1	40.5	57.5	60.5	326.3	300.9	283.7	88.9	92.7	2.00
WEU756S	3/4"	64.3	46.5	65.9	69.4	334.5	302.5	283.7	88.9	92.7	2.00
WEU757S	7/8"	76.1	55.0	78.0	82.1	347.2	309.0	283.7	88.9	92.7	2.20
WEU759S	1"1/8"	110.7	80.0	113.4	119.4	355.9	309.7	283.7	88.9	92.7	2.20

(1) Liquid capacity in accordance with ARI 710-86 standard
 Te = -15°C, Tc = 30°C, Δp = 0.07 bar (1 psig)
 Other working conditions see pages 223 to 225.



For all requests, consult your nearest Parker Sporlan Wholesaler or contact us on:
racecustomerservice@parker.com / www.parker.com/race

WEU Solder (ODF)

Connections in metric

Part Number	Connections ODF	Flow Capacity (kW) (1)				Dimensions (mm)					Weight kg
		R134a	R404A R507	R407C	R410A R22	L	A	B	D1	D2	
WEU0306MMS	6 mm	5.9	4.3	6.1	6.4	103.2	87.4	66.6	50.8	53.8	0.30
WEU0506MMS	6 mm	6.4	4.6	6.6	6.9	112.8	97.0	76.2	50.8	53.8	0.30
WEU0510MMS	10 mm	16.6	12.0	17.0	17.9	112.8	97.0	76.2	50.8	53.8	0.33
WEU0806MMS	6 mm	7.0	5.0	7.1	7.5	134.9	119.1	98.3	63.5	66.7	0.49
WEU0810MMS	10 mm	17.1	12.3	17.5	18.4	134.9	119.1	98.3	63.5	66.7	0.52
WEU0812MMS	12 mm	25.9	18.7	26.5	27.9	134.9	116.1	98.3	63.5	66.7	0.53
WEU1606MMS	6 mm	7.0	5.0	7.1	7.5	153.9	138.1	117.3	63.5	66.7	0.60
WEU1610MMS	10 mm	18.9	13.7	19.4	20.4	153.9	138.1	117.3	63.5	66.7	0.58
WEU1612MMS	12 mm	34.1	24.7	35.0	36.8	153.9	135.1	117.3	63.5	66.7	0.61
WEU165S	16 mm	45.9	33.2	47.0	49.5	159.9	134.5	117.3	63.5	66.7	0.70
WEU3010MMS	10 mm	19.4	14.0	19.9	20.9	232.4	216.6	195.8	76.2	79.8	1.47
WEU3012MMS	12 mm	37.4	27.0	38.3	40.3	232.4	213.6	195.8	76.2	79.8	1.40
WEU305S	16 mm	47.6	34.4	48.7	51.3	238.4	213.0	195.8	76.2	79.8	1.30
WEU4112MMS	12 mm	39.2	28.3	40.2	42.3	234.5	215.7	197.9	88.9	92.7	1.40
WEU415S	16 mm	50.7	36.6	52.0	54.7	240.5	215.1	197.9	88.9	92.7	1.65
WEU755S	16 mm	56.1	40.5	57.5	60.5	326.3	300.9	283.7	88.9	92.7	2.00

