

FL--ERBH

Cast iron screw pumps

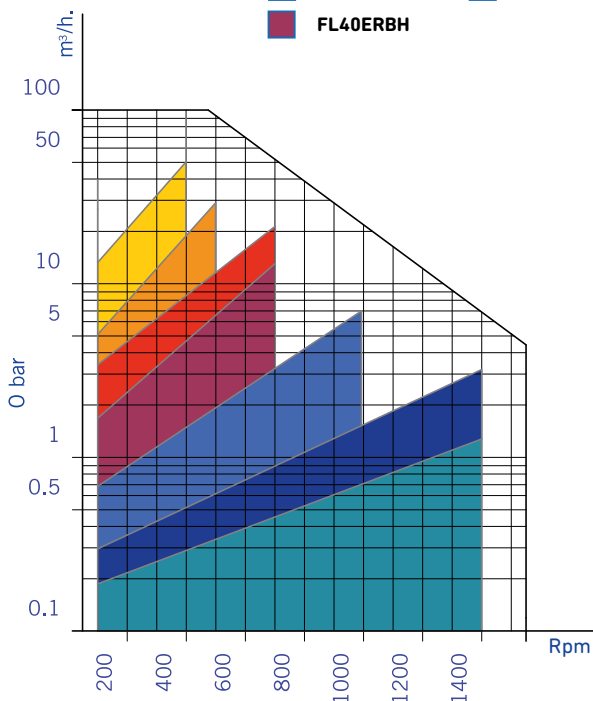


FL--ERBL



SELECTION ZONES

- | | |
|---|---|
|  FL80ERBH |  FL30ERBH |
|  FL60ERBH |  FL20ERBH |
|  FL50ERBH |  FL15ERBH |
|  FL40ERBH | |



APPLICATIONS

The screw pumps FL--ERBH have been designed for industrial uses and wastewater treatment. This kind of pumps could work with products like thick mud, dehydrated products, polyelectrolytes, chemical products, etc.

CHARACTERISTICS

- DIN 2576 connections
- Level of finish: Industrial
- Monobloc / bare shaft assembly
- 1 - 2 - 3 - 4 stages (up to 24 bar)

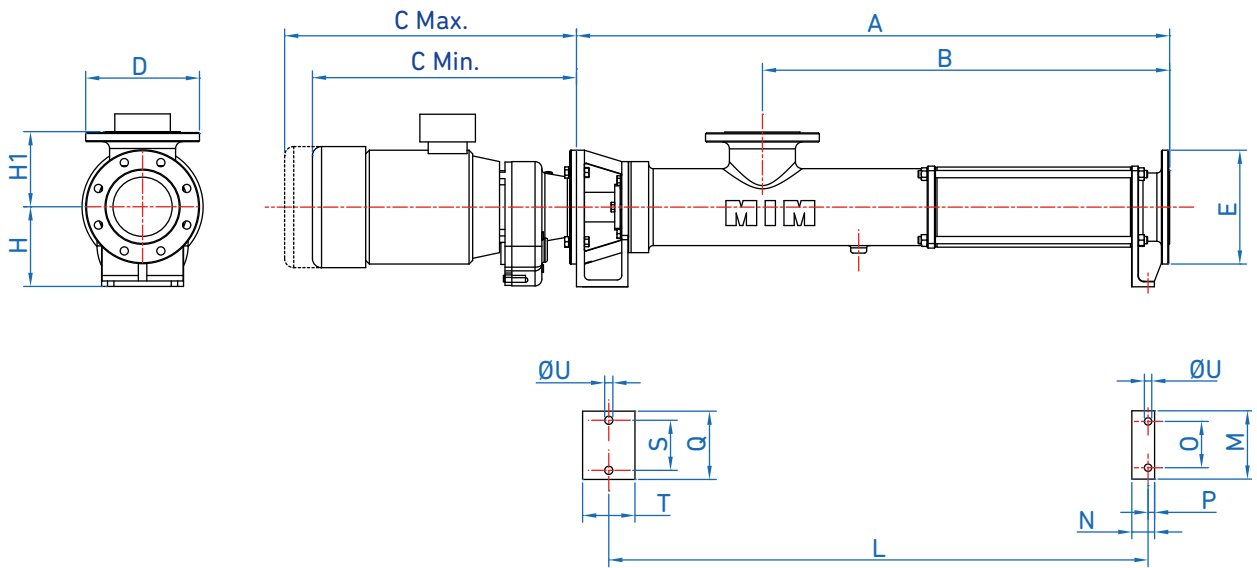
MATERIALS

- Grey cast iron body GG-25
- Mechanical parts in contact with the product in SS AISI 316
- Nitrile stator and gaskets
- Mechanical seal C/C/N

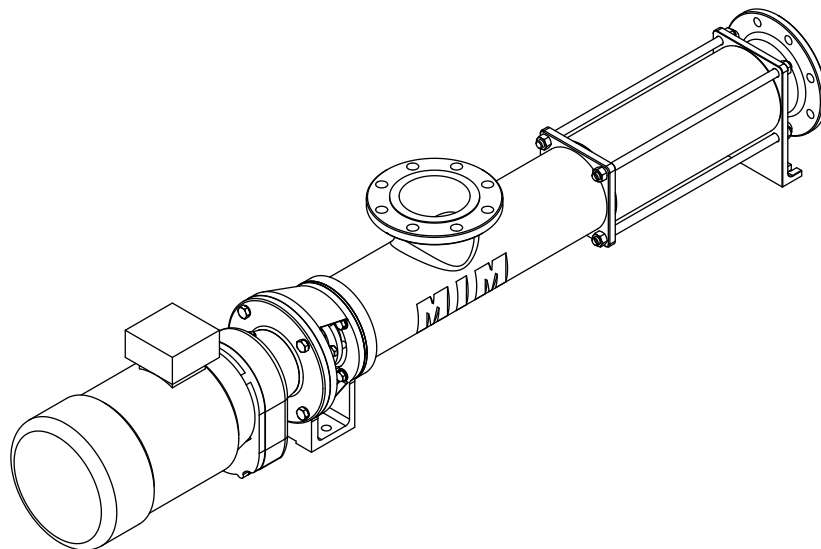
OPTIONS

- Mechanical variator
- Frequency converter
- Control panel
- Mechanical seal S/S/V
- Stator in other rubbers: Viton / Silicone / EPDM / Perbunan/ Hypalon, etc.
- Trolley, platform

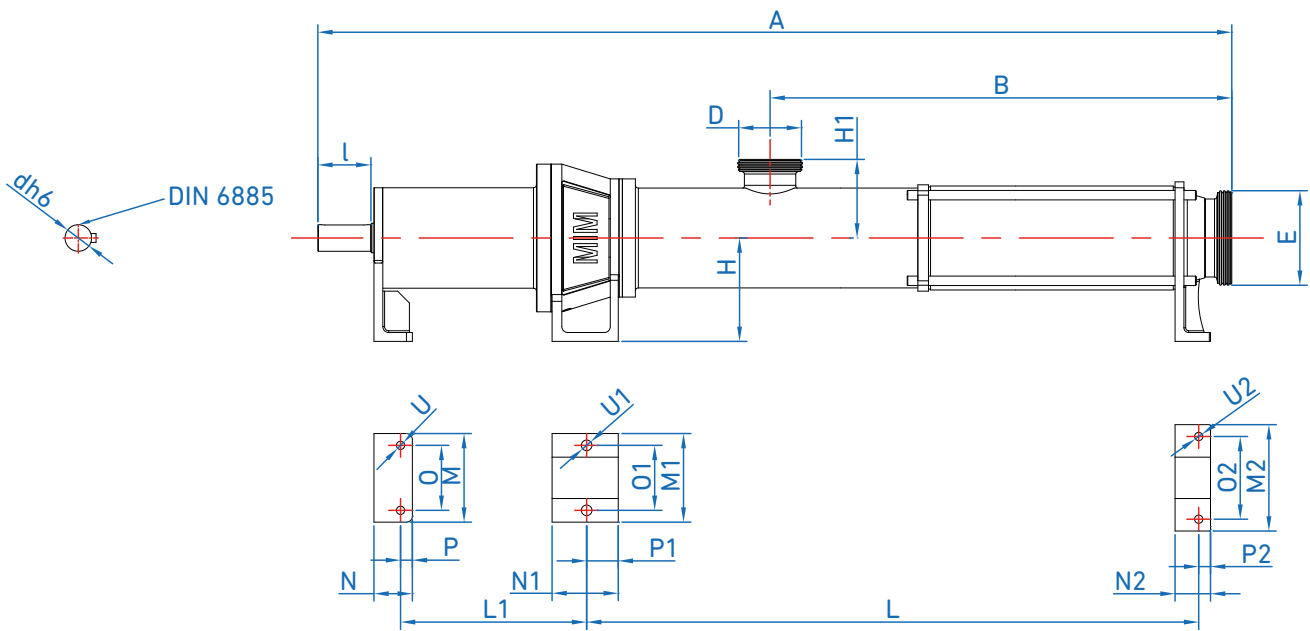
DIMENSIONS OF FL--ERBH AND FL--ERB2H MODELS



MODELO	A	B	C Min.	C Max.	D/E	H	H1	L	M	N	O	P	U	Q	S	T
FL15ERBH	371.5	235	301	385	DN 32	102	100	315	70	40	53	15	Ø9	70	53	50
FL20ERBH	407.5	270	301	385	DN32	102	100	350	70	40	53	15	Ø9	70	53	50
FL30ERBH	622	408	319	433	DN 50	125	110	521.5	105	45	75	15	Ø12	110	80	100
FL40ERBH	716.5	476	382	477	DN 65	130	125	616	120	45	90	15	Ø12	110	80	100
FL50ERBH	870	560.5	380	475	DN 80	155	135	758	140	50	100	20	Ø14	150	110	115
FL60ERBH	1135	742	446	581	DN 100	175	155	1038	160	60	120	20	Ø14	150	110	115
FL80ERBH	1290	894.5	446	581	DN 125	175	165	1171.5	180	60	140	20	Ø14	150	110	115
FL15ERB2H	453.5	317	301	385	DN 32	102	100	397	70	40	53	15	Ø9	70	53	50
FL20ERB2H	507	371	301	385	DN 32	102	100	451	70	40	53	15	Ø9	70	53	50
FL30ERB2H	772	558	319	433	DN 50	125	110	671.5	105	45	75	15	Ø12	110	80	100
FL40ERB2H	917.5	677	382	477	DN 65	130	125	817	120	45	90	15	Ø12	110	80	100
FL50ERB2H	1110	800.5	380	475	DN 80	155	135	998	140	50	100	20	Ø14	150	110	115
FL60ERB2H	1437	1044	446	581	DN 100	175	155	1340	160	60	120	20	Ø14	150	110	115
FL80ERB2H	1690	1295	446	581	DN 125	175	165	1592	180	60	140	20	Ø14	150	110	115



DIMENSIONS OF FL--ERBHL AND FL--ERB2HL MODELS



MODEL	A	B	H	H1	L	L1	M	M1	M2	N	N1	N2	D/E	O	O1	O2	P	P1	P2	U	U1	U2	l	d
FL15ERBL	570	247	102	90	307	-	-	70	80	-	50	40	DN25	-	53	63	-	20	15	-	Ø9	Ø9	50	20
FL20ERBL	605	283	102	78	339	-	-	70	80	-	50	40	DN32	-	53	63	-	20	15	-	Ø9	Ø9	50	20
FL30ERBL	829	401	125	85	516	-	-	110	105	-	100	45	DN50	-	80	75	-	50	15	-	Ø14	Ø12	60	25
FL40ERBL	934	476	130	105	616	-	-	110	120	-	100	45	DN65	-	80	90	-	50	15	-	Ø14	Ø12	60	25
FL50ERBL	1181	565	155	110	740	248	150	150	140	65	115	50	DN80	110	110	100	20	60	20	14	Ø18	Ø14	75	35
FL60ERBL	1546	781	175	130	1032	315	150	150	160	65	115	60	DN100	110	110	120	20	60	20	14	Ø18	Ø14	90	45
FL80ERBL	1664	899	175	145	1158	315	150	150	180	65	115	60	DN125	110	110	140	20	60	20	14	Ø18	Ø14	90	45
FL15ERBL2	650	327	102	90	387	-	-	70	80	-	50	40	DN25	-	53	63	-	20	15	-	Ø9	Ø9	50	20
FL20ERBL2	706	384	102	78	408	-	-	70	80	-	50	40	DN32	-	53	63	-	20	15	-	Ø9	Ø9	50	20
FL30ERBL2	980	552	125	85	667	-	-	110	105	-	100	45	DN50	-	80	75	-	50	15	-	Ø14	Ø12	60	25
FL40ERBL2	1134	676	130	105	816	-	-	110	120	-	100	45	DN65	-	80	90	-	50	15	-	Ø14	Ø12	60	25
FL50ERBL2	1423	807	155	110	982	248	150	150	140	65	115	50	DN80	110	110	100	20	60	20	14	Ø18	Ø14	75	35
FL60ERBL2	1846	1081	175	130	1382	315	150	150	160	65	115	60	DN100	110	110	120	20	60	20	14	Ø18	Ø14	90	45
FL80ERBL2	2081	1316	175	145	1575	315	150	150	180	65	115	60	DN125	110	110	140	20	60	20	14	Ø18	Ø14	90	45

