

IBC / SBC

Vertical Agitator

IBC vertical agitators are widely used in wastewater treatment because of their high performance and efficient agitation plus their low cost. The high versatility of these agitators comes from the different sizes, the range of impeller types and the coaxial gears geared-motor, which has a wide range of selectable speeds. Moreover, with their bigger size, SBC vertical agitators are able to provide the required agitation grade even in large volume applications.



APPLICATIONS

The IBC/SBC design changes in line with agitation characteristics and application requirements, with one or more impellers of the same or different kinds being used to provide the agitation required for each system. All these features make the IBC/SBC highly recommended for biological and physical-chemical treatments:

- Sludge homogenization
- Lime preparation for pH adjustment
- Flocculant preparation
- Flocculation tanks
- Additive suspension
- Wastewater homogenization
- Thermal homogenization

CHARACTERISTICS

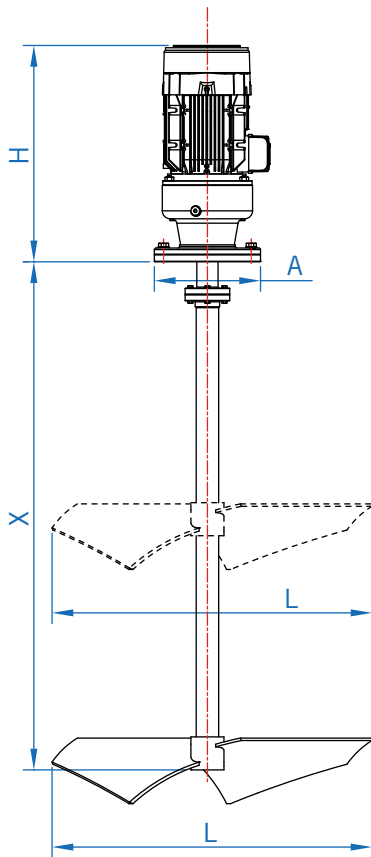
Level of finish: Industrial
Square anchoring flange
Coaxial gears geared motor
Interchangeable agitation parts
Easy assembly/dismantling

MATERIALS

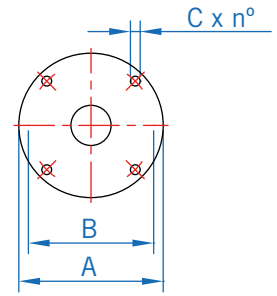
Parts in contact with the product in SS AISI 304L
Parts without contact in carbon steel or others

OPTIONS

Other materials: SS AISI 316L / Carbon steel
Propeller and shaft plastic covering
Reinforcement turrets
Other anchoring flanges
Tripod guides
Environmental extra protection
Control panel

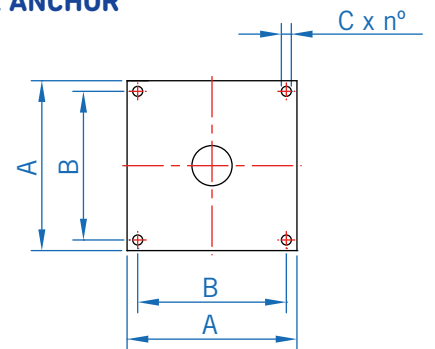


ANCHOR FLANGE IEC TYPE

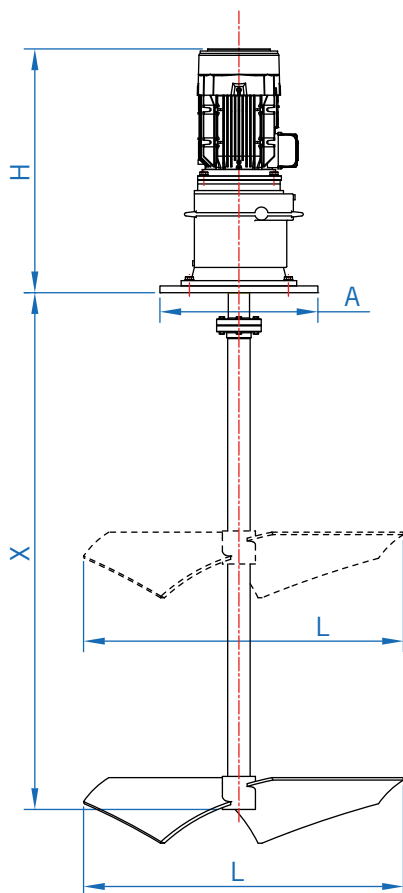


OVERALL DIMENSIONS IBC				
FLANGE	A	B	C	n°
IEC 160	160	130	9	4x90°
IEC 200	200	165	12	4x90°
IEC 250	250	215	14	4x90°

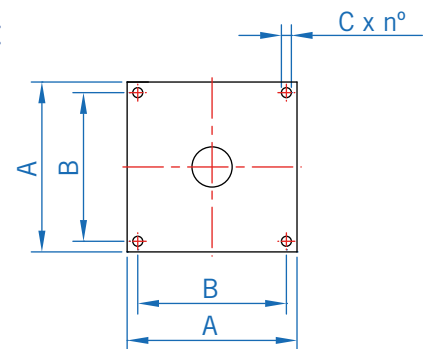
SQUARE PLATE ANCHOR FLANGE



OVERALL DIMENSIONS IBC				
FLANGE	A	B	C	n°
250 x 250	250	200	18	4
300 x 300	300	250	18	4
400 x 400	400	350	18	4



SQUARE PLATE ANCHOR FLANGE



OVERALL DIMENSIONS SBC				
FLANGE	A	B	C	n°
250 x 250	250	200	18	4
300 x 300	300	250	18	4
400 x 400	400	350	18	4
450 x 450	450	400	22	4
500 x 500	500	450	22	4

SELECTION CHARTS

IBC/SBC AGITATOR FOR SLUDGE SUSPENSION

VOLUME	MODELS	DRIVE UNIT	Ø SHAFT	MAX. LENGTH	Ø PROPELLER	WEIGHT KG
300L	IBC 0.18 - 75 / 300	MOTORREDUCTOR	20	1000	300	12
500L	IBC 0.25 - 100 / 300	MOTORREDUCTOR	20	1500	300	15
1000L	IBC 0.37 - 100 / 350	MOTORREDUCTOR	25	1500	350	28
1500L	IBC 1.1 - 100 / 400	MOTORREDUCTOR	30	1800	400	27
2500L	IBC 1.5 - 100 / 600	MOTORREDUCTOR	35	1800	600	30
4000L	IBC 1.5 - 120 / 600	MOTORREDUCTOR	45	2000	600	30
5000L	IBC 2.2 - 90 / 800	MOTORREDUCTOR	45	2250	800	47
7500L	IBC 2.2 - 90 / 800	MOTORREDUCTOR	50	2500	800	60
10000	SBC 2.2 - 65 / 1000	MOTORREDUCTOR	60	3500	1000	80
15000	SBC 2.2 - 75 / 1000	MOTORREDUCTOR	60	3500	1000	90

IBC AGITATOR FOR LIME OR POLYELECTROLYTE PREPARATION

VOLUME	MODELS	DRIVE UNIT	Ø SHAFT	MAX. LENGTH	Ø PROPELLER	WEIGHT KG
2500L	IBC 0.75 - 370 / 300	MOTORREDUCTOR	30	1800	300	25
3000L	IBC 1.1 - 303 / 350	MOTORREDUCTOR	30	1800	350	27
4000L	IBC 1.5 - 310 / 400	MOTORREDUCTOR	35	1800	400	29
5000L	IBC 1.5 - 120 / 700	MOTORREDUCTOR	45	2500	700	45
8000L	IBC 1.5 - 100 / 800	MOTORREDUCTOR	50	2500	800	48

IBC/SBC AGITATOR FOR FLOCCULATION

VOLUME	MODELS	DRIVE UNIT	Ø SHAFT	MAX. LENGTH	Ø PROPELLER	WEIGHT KG
2500L	IBC 0.18 - 35 / 400	MOTORREDUCTOR	35	1500	400	55
5000L	IBC 0.25 - 35 / 600	MOTORREDUCTOR	35	1500	600	65
7500L	IBC 0.25 - 35 / 700	MOTORREDUCTOR	35	1800	700	72
10000L	IBC 0.25 - 25 / 800	MOTORREDUCTOR	45	1800	800	75
15000L	IBC 0.37 - 20 / 1000	MOTORREDUCTOR	50	2200	1000	80
20000L	IBC 0.37 - 20 / 1200	MOTORREDUCTOR	60	2500	1200	95
30000L	SBC 0.37 - 18 / 1400	MOTORREDUCTOR	88.9	2700	1400	135
40000L	SBC 0.37 - 15 / 1800	MOTORREDUCTOR	88.9	2700	1800	165
50000L	SBC 0.37 - 10 / 2000	MOTORREDUCTOR	114	3000	2000	175

