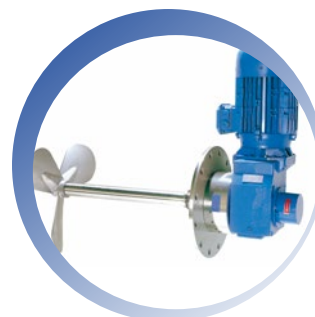
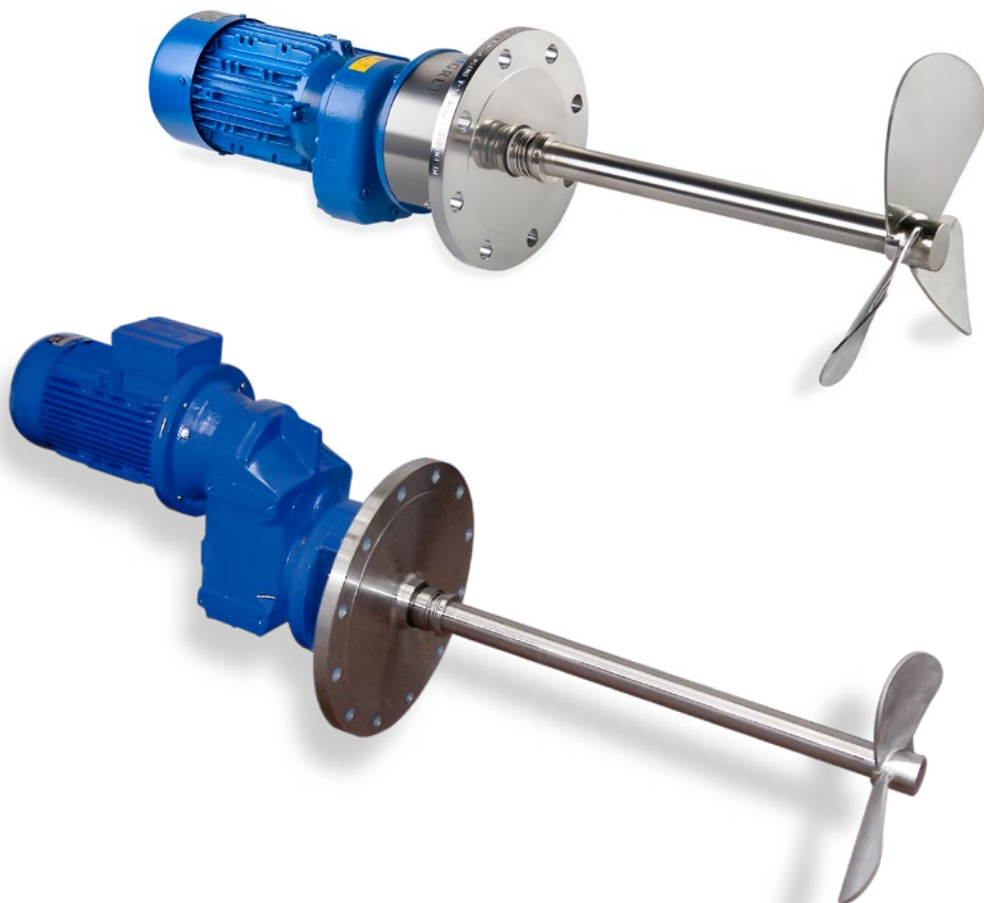


LECOR / LMRE

Lateral agitators



LECOR and LMRE lateral agitators are highly suitable for maintaining and mixing products stored in medium and large volume tanks. They are installed in the lowest part of the vessel with different distances to the bottom, and slanted in line with the characteristics of the tank (shape and size).

LMRE and LECOR are fitted with two systems of shaft sealing. On the inner part, where the shaft is in contact with the product, there is a mechanical seal, whilst the external part can be fitted with a stuffing box.

Propeller design and selection is done according to agitation requirements, product properties, vessel geometry and agitator location in order to achieve optimal performance with the lowest operating costs.

Their range of application is wide and they are used in very different fields of the industry. For example, they are used in:

- Heat exchanges
- Chemical reactions
- Dissolutions
- Dilutions
- Reactant mixing
- Product homogenisation (oils, sludge, slurries, waste water, urea, etc.)
- Product/suspension maintenance (ammonium sulphate, glues, melamine, latex, resins, etc.)

CHARACTERISTICS

- DIN 2576 anchor flange
- Level of finish: Industrial
- Gearbox with high performance helicoidal gears
- Single mechanical seal sealing system
- GAMMA/MARINE propeller
- Simplicity of parts

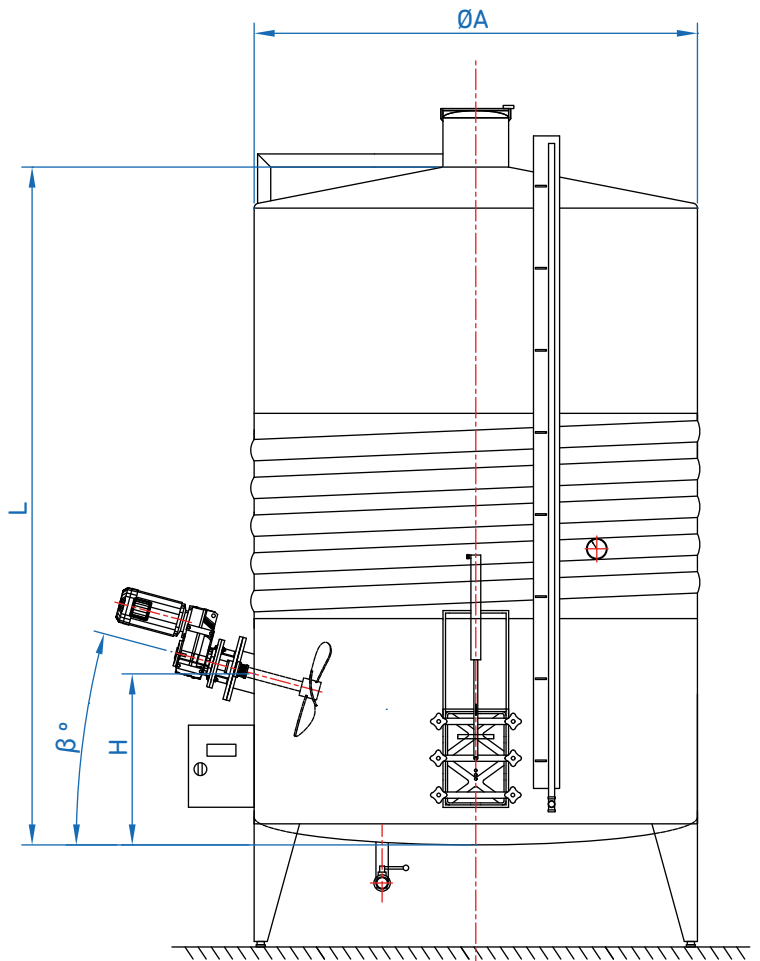
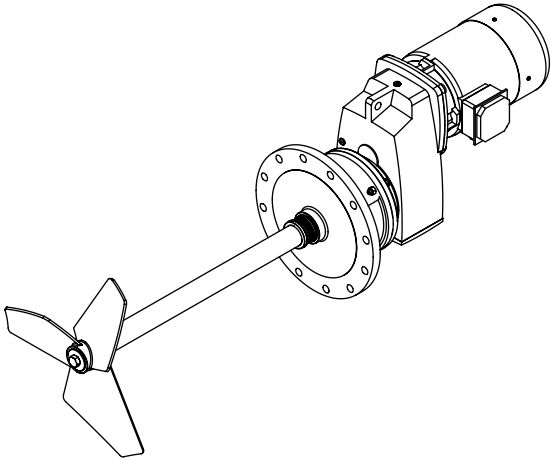
MATERIALS

- Shaft and propeller manufactured in stainless steel AISI 316L
- Mechanical seal C/C/N

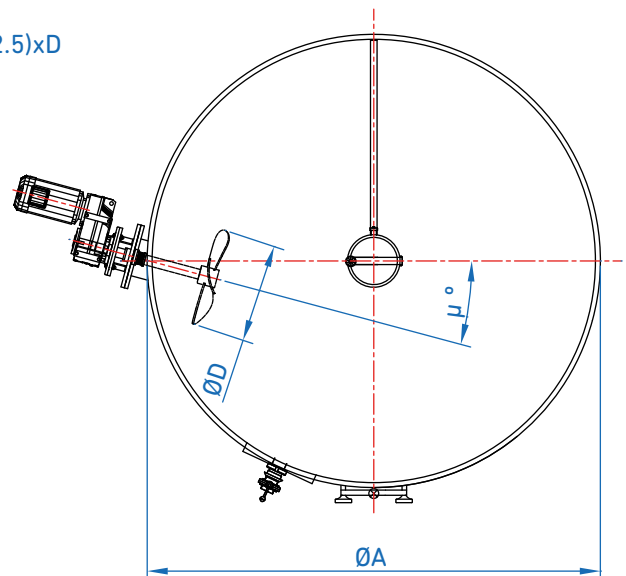
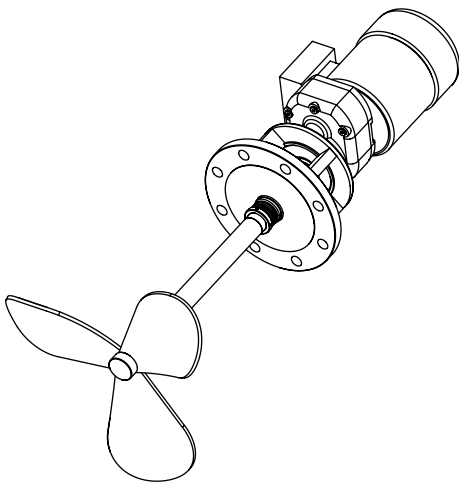
OPTIONS

- Control panel
- Safety stuffing box
- Mechanical seal S/S/V or dual
- Shaft and propeller covering against corrosion and wearing up
- Motor cover
- Other materials
- Big flow GAMMA propeller
- Other anchor systems
- Mechanical or frequency converter
- Other shaft lengths

DIMENSIONS OF THE LECOR MODEL



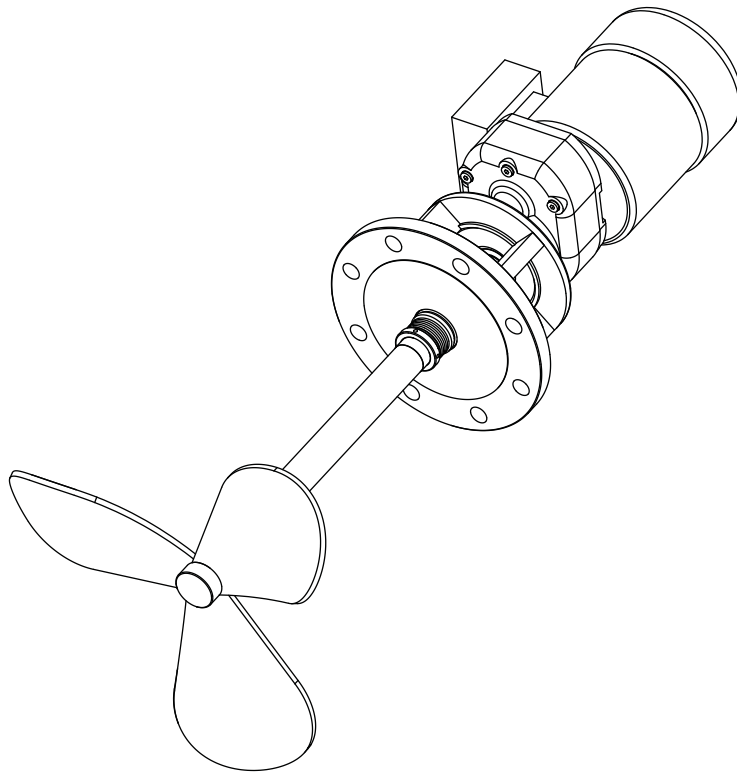
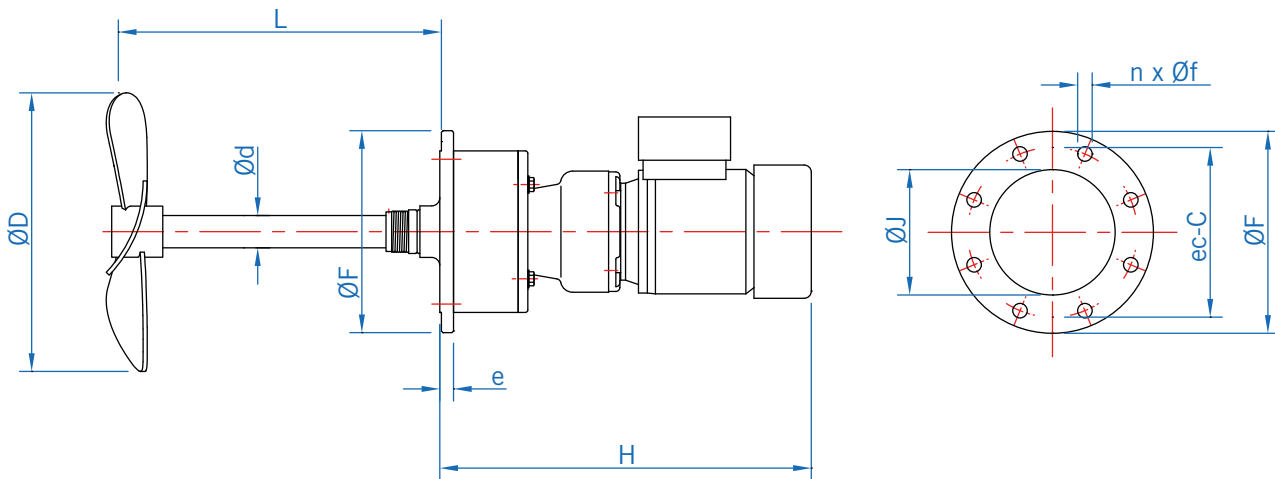
$$H = (2/2.5) \times D$$



INSTALLATION PARAMETERS

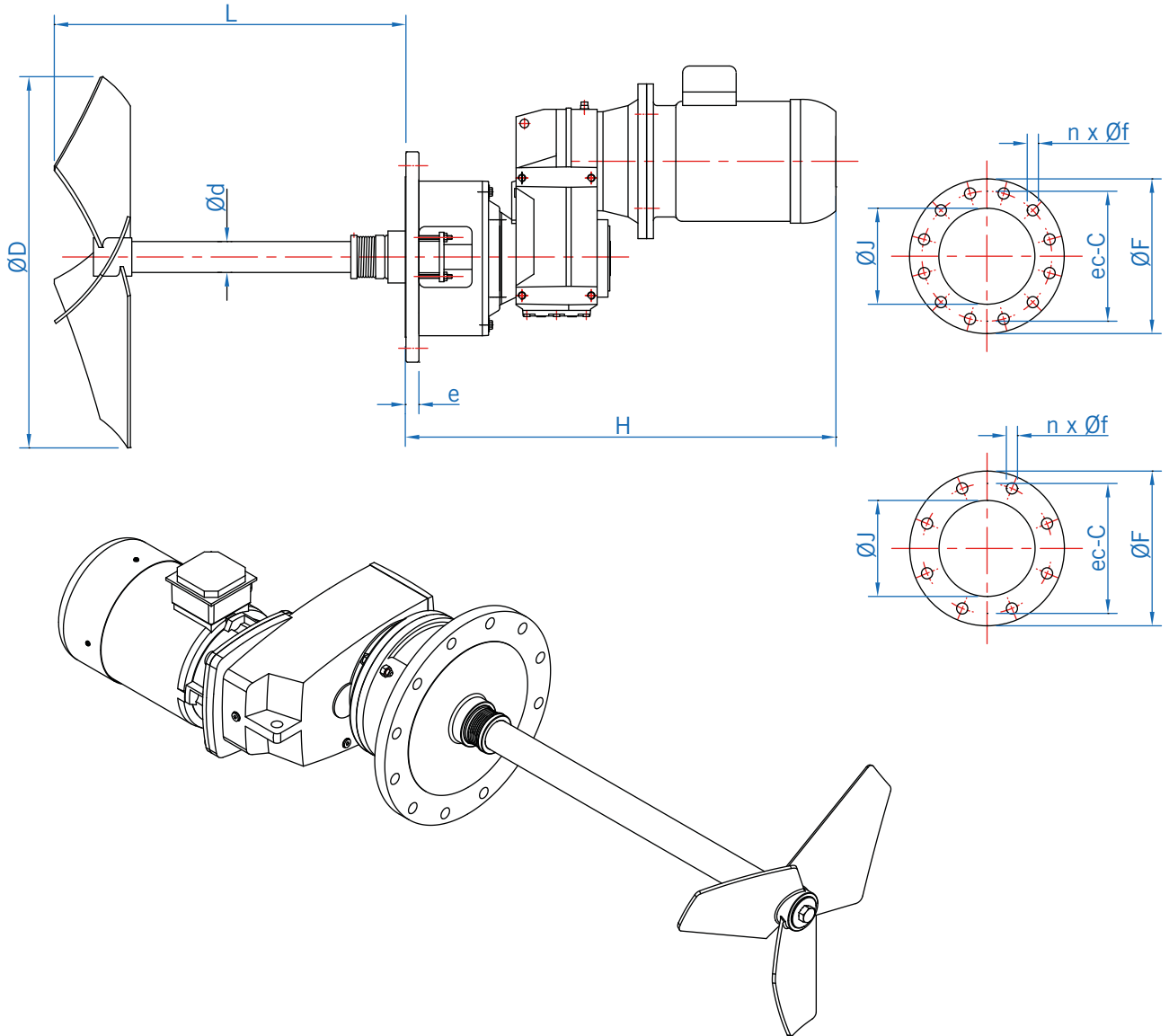
A/L	2	1	0.5	0.3	0.25	0.2	0.16
β°	5	15	20	35	45	55	65
μ°	15	12	10	8	5	2	0

DIMENSIONS OF THE LECOR MODEL



MODEL	OVERALL DIMENSIONS							ANCHOR FLANGE according to DIN 2576 PN10				
	Power (kW)	d	D	e	H	L	DN	C	f	F	J	n
LECOR 0.37-135/300	0.37	40	300	22	463	500	150	240	22	285	169	8
LECOR 0.55-200/300	0.55	40	300	22	463	500	150	240	22	285	169	8
LECOR 0.75-200/400	0.75	40	400	22	480	500	150	240	22	285	169	8
LECOR 1.1-250/400	1.1	40	400	22	525	500	150	240	22	285	169	8
LECOR 1.5-200/500	1.5	40	500	22	525	500	150	240	22	285	169	8
LECOR 2.2-250/500	2.2	40	500	22	555	500	150	240	22	285	169	8
LECOR 3-200/600	3	50	600	24	670	500	200	350	22	340	220	8
LECOR 4-200/650	4	60	650	26	725	600	250	400	22	395	274	12

DIMENSIONS OF THE LMRE MODEL



MODEL	OVERALL DIMENSIONS							ANCHOR FLANGE according to DIN 2576 PN10				
	Power (kW)	d	D	e	H	L	DN	C	f	F	J	n
LMRE 0.37-300/250	0.37	35	250	22	472	400	125	210	18	250	140,5	8
LMRE 0.55-300/275	0.55	35	275	22	494	400	125	210	18	250	140,5	8
LMRE 0.75-300/300	0.75	40	300	22	524	500	150	240	22	285	169	8
LMRE 1.1-300/325	1.1	40	325	22	665	500	150	240	22	285	169	8
LMRE 1.5-300/350	1.5	40	350	22	675	500	150	240	22	285	169	8
LMRE 2.2-300/400	2.2	40	400	24	627	500	200	295	22	340	220	8
LMRE 3-300/450	3	50	450	24	757	500	200	295	22	340	220	8
LMRE 4-300/500	4	50	500	24	805	500	200	295	22	340	220	8
LMRE 5.5-300/500	5.5	60	500	26	876	600	250	350	22	395	274	12
LMRE 7.5-300/600	7.5	60	600	26	885	600	250	350	22	395	274	12
LMRE 9.2-300/600	9.2	60	600	26	905	600	250	350	22	395	274	12
LMRE 11-300/650	11	60	650	26	1010	600	250	350	22	395	274	12
LMRE 15-300/700	15	70	700	26	1075	700	300	400	22	445	325	12
LMRE 18.5-300/700	18.5	70	700	26	1200	700	300	400	22	445	325	12
LMRE 22-300/800	22	70	800	26	1235	700	300	400	22	445	325	12