

**SIBC**

# Agitador para tanque IBC de 1000L

SIBC vertical agitator line is a low consumption unit specifically designed to agitate IBC standard plastic containers with 1m<sup>3</sup> and 1,25 m<sup>3</sup> capacities.

All units from SIBC range are equipped with stainless steel 304L support with holding clamps for fast assembly/dismantle operations and lifting support by means of forklift for an easy transportation and extraction from IBC container. All agitators are equipped whether with a marine propeller or a foldable one (PLE) to pass through tanks standard opening of 140 mm (5,5 inches). Once the fast installation is done the agitators are ready to start over mixing processes.

## APPLICATIONS

Homogenisations, Varnish and surface coatings, sludges, inks, chemical additives, liquid-liquid mixture, coagulation, flocculation, additives, colourants/dyes

## CHARACTERISTICS

Support made of Stainless Steel AISI 304L  
2 or 4 Holding Clamps for container anchorage  
2 lifting lugs for forklift  
Shaft and propeller made of SS AISI 316L

## MATERIALS

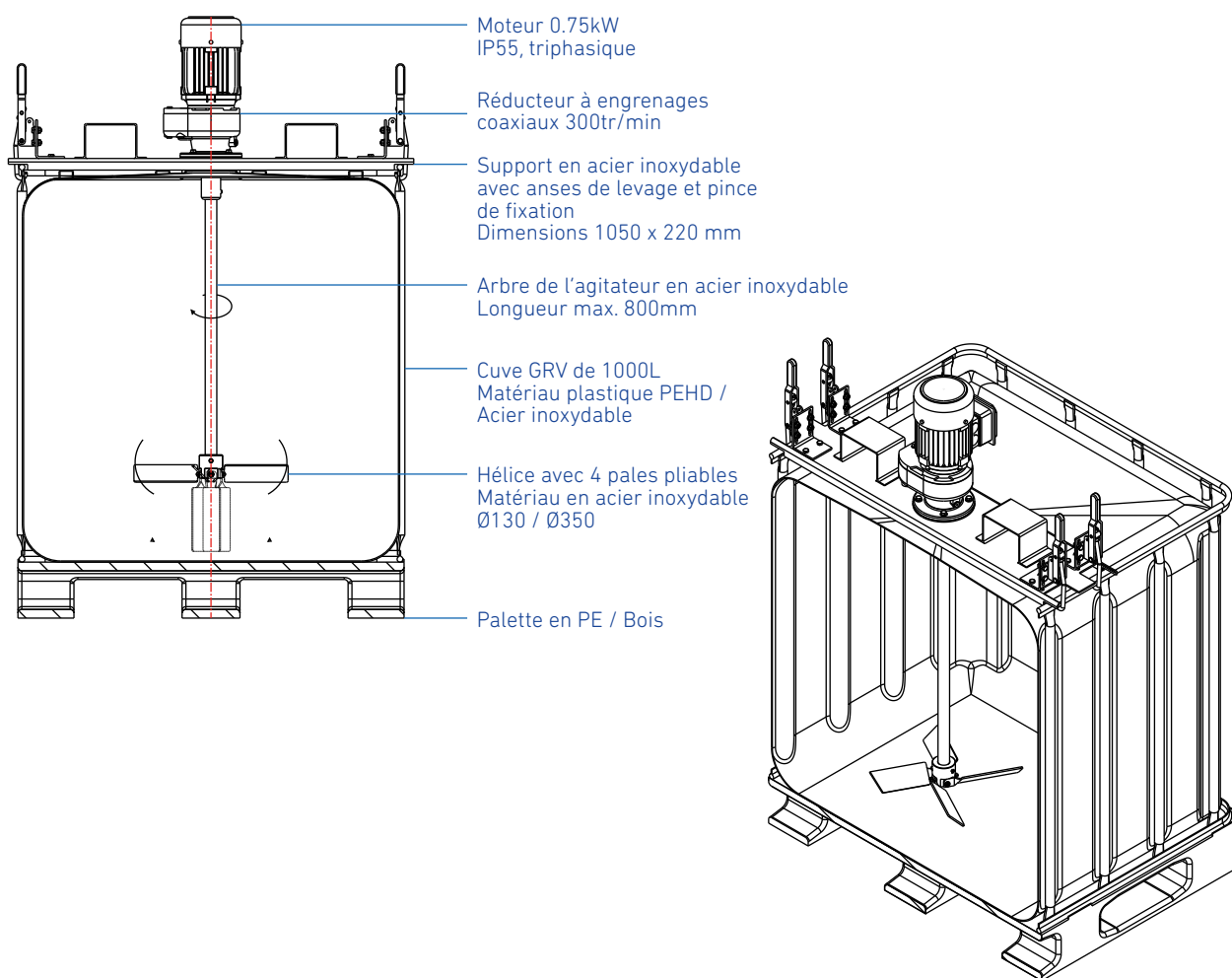
Parts in contact with product: AISI 316L  
External parts: AISI 304L  
Gaskets: EPDM (FDA)

## OPTIONS

3 models  
IP66 Frequency converter



## CARACTÉRISTIQUES DES MODELES SMD, SVAI AND SIBC



## TABLE SELECTION

### AGITATEUR SMD / SVAI / SIBC POUR 1000L GRV

MODELES	CARACTÉRISTIQUES	PUISSANCE	VITESSE	Ø HELICE	TYPE D'HELICE	MAX VISCOSITE
<b>SMD 0.75 - 1500 / 130</b>	Moteur direct	0.75 kW	1500 rpm	130	Marine	300cp
<b>SVAI 0.75 - 1500 / 130</b>	Moteur direct + Tourelle	0.75 kW	1500 rpm	130	Marine	300cp
<b>SIBC 0.75 - 200 / 350</b>	Motoréducteur à engrenages coaxiaux	0.75 kW	200 rpm	350	4 pales pliables	1000cp