

VAI / VSI

Vertical agitators

In order to satisfy the extensive requirements of the agitating and mixing field, INOXMIM has designed VAI and VSI vertical agitators, which are ideal for preparing reagents. The main characteristic of these units is their bolstering tower system, which significantly extends the working life of the motor and allows a longer shaft. This system is fitted with a semi-shaft which transmits the traction generated by the motor to the shaft. This, along with the lip seal guiding system in the tower, guarantees the robustness of the unit and its high agitating capacity.

MODEL	DRIVE	GEARED MOTOR
VAI	Electrical motor < T90	-
VSI	Electrical motor > T90	-

The simplicity of the parts and the shaft coupling system facilitate maintenance work and operation with a high degree of sanitisation. Thanks to these characteristics, these units are widely used in the chemical industry and water treatment for agitation of dosing vessels, dispersion of reagents, maintenance of mixes and dissolution of solid products.



CHARACTERISTICS

- DN50 DIN 2576 PN10 Anchor flange
- Direct motor or geared motor
- Level of finish: Industrial
- Bolstering tower
- Semi-shaft
- Easy assembly/dismounting
- Interchangeability of agitator components

MATERIALS

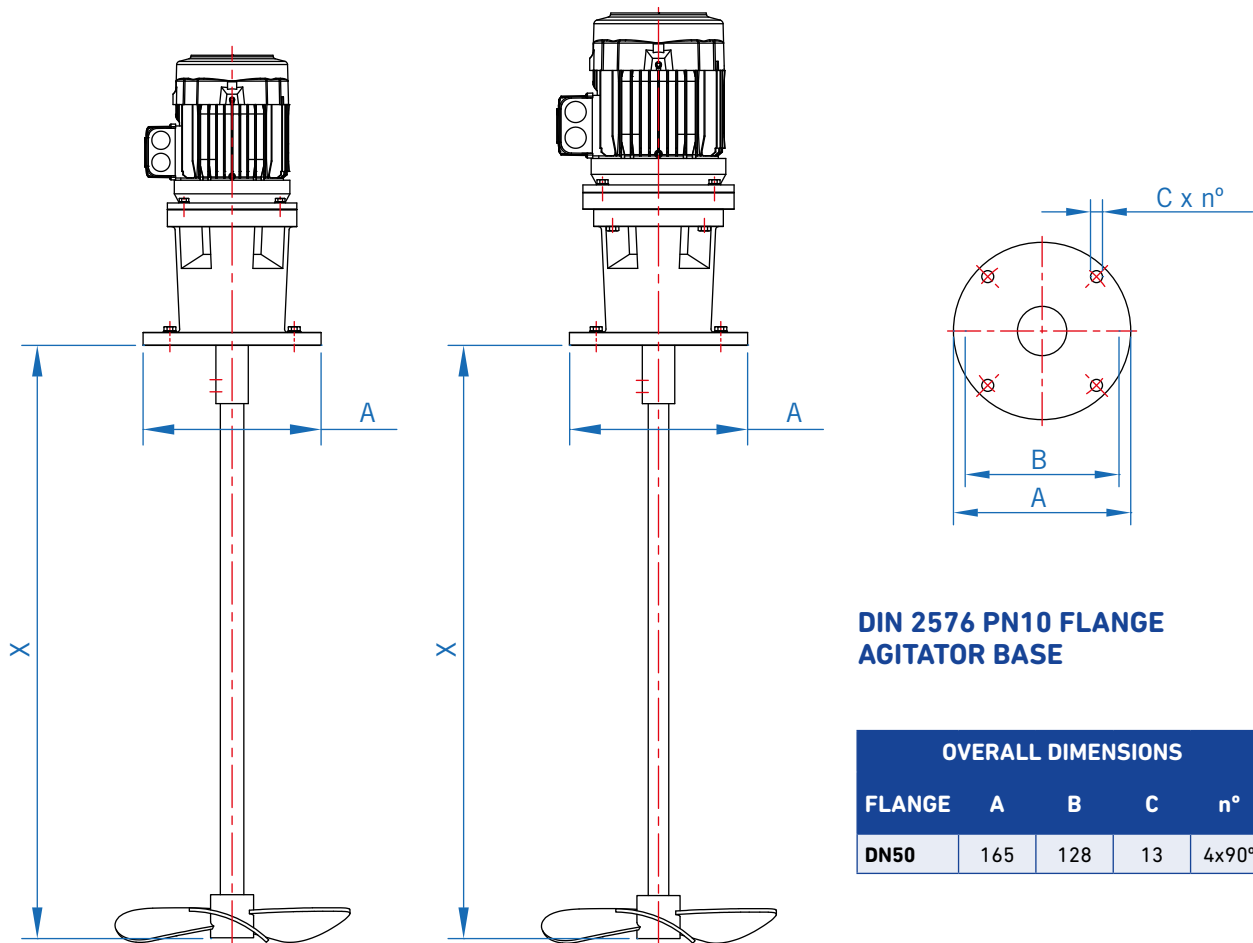
- The propeller and shaft are made from stainless steel AISI 304
- The other parts are made from stainless steel AISI 304
- Aluminium tower

OPTIONS

- Control panel
- Other materials for shaft and propellers: AISI 316, 904L, etc.
- Propeller and shaft cover (PVC, PE or resin)
- Manual/automatic elevation system
- Stainless steel casing
- PEHD tank



OVERALL DIMENSIONS AND CHARACTERISTICS OF THE VAI AND VSI MODELS



SELECTION CHARTS

VAI/VSI AGITATOR FOR REAGENTS PREPARATION OR NEUTRALIZATION

VOLUME	MODELS	DRIVE UNIT	Ø SHAFT	MAX. LENGTH	Ø PROPELLER	WEIGHT KG
300L	VAI 0.18 - 750 / 130	MOTOR DIRECTO	16	1000	130	11
500L	VAI 0.37 - 1500 / 130	MOTOR DIRECTO	16	1000	130	13
1000L	VAI 0.75 - 1500 / 150	MOTOR DIRECTO	16	1200	150	16
1500L	VSI 1.1 - 1500 / 150	MOTOR DIRECTO	20	1500	150	18
2000L	VSI 1.5 - 1500 / 175	MOTOR DIRECTO	20	1500	175	21

VAI/VSI AGITATOR FOR LIME OR POLYELECTROLYTE PREPARATION

VOLUME	MODELS	DRIVE UNIT	Ø SHAFT	MAX. LENGTH	Ø PROPELLER	WEIGHT KG
300L	VAI 0.18 - 1000 / 130	MOTOR DIRECTO	16	1000	130	11
500L	VAI 0.75 - 1500 / 150	MOTOR DIRECTO	16	1200	150	13
1000L	VAI 1.1 - 1500 / 150	MOTOR DIRECTO	20	1500	150	18
1500L	VAI 1.5 - 1500 / 175	MOTOR DIRECTO	20	1500	175	19