

IGNITION COILS

Ø 19.5

Inductive Cigar Coil
13.5 V - 21 A

Description

A high power inductive ignition coil with sub compact dimensions particularly suitable for multi-cylinder engines.

The small dimensions allow direct mounting in the cylinder head thus eliminating the need for H.V. leads.

The cigar shape with small diameter gives more freedom to the design of cylinder head on custom engines.

Modular design allows the user to adjust the length for his application or this can be done at the factory prior to dispatch.

Contact the factory for the design of different plug positions and suitable ignition drivers.



Main Features

- High spark current
- Modular design
- Different plug position possible
- Different plug diameters possible

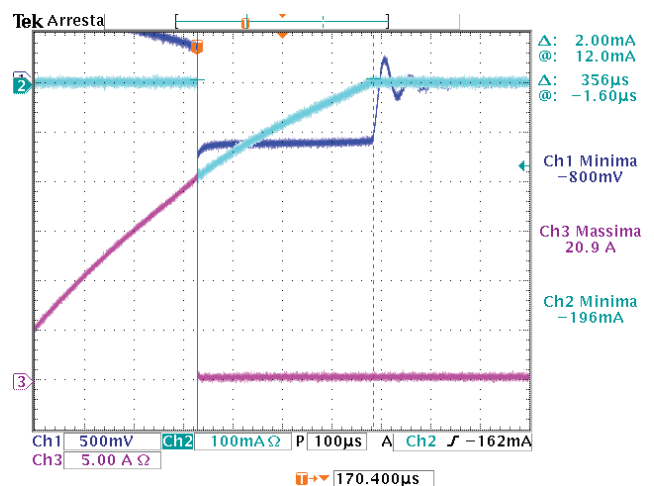
Benefits

- High performance
- Wide application range
- Small dimensions
- Low weight
- Low cost
- Same technology as F1 coils

Typical Applications

Atmospheric and mild blown engines
MotoGP - SBK - F3 – CART - IRL - GT

Typical Performance

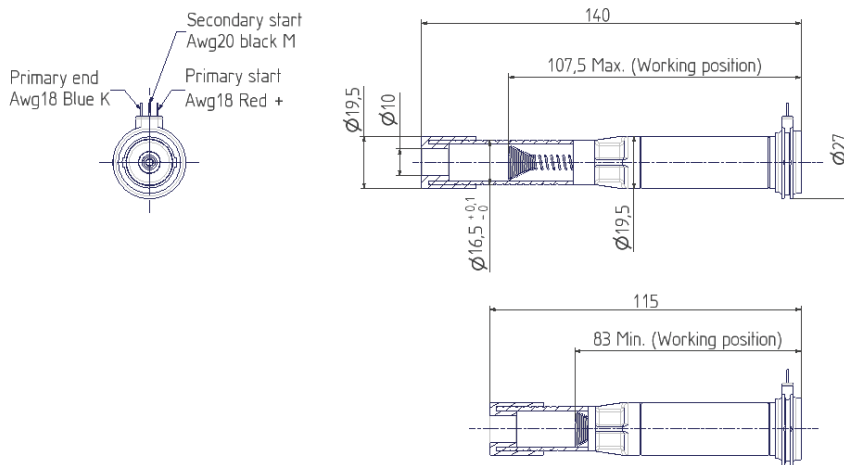


IGNITION COILS

Ø 19.5

Inductive Cigar Coil
13.5 V - 21 A

Dimensions

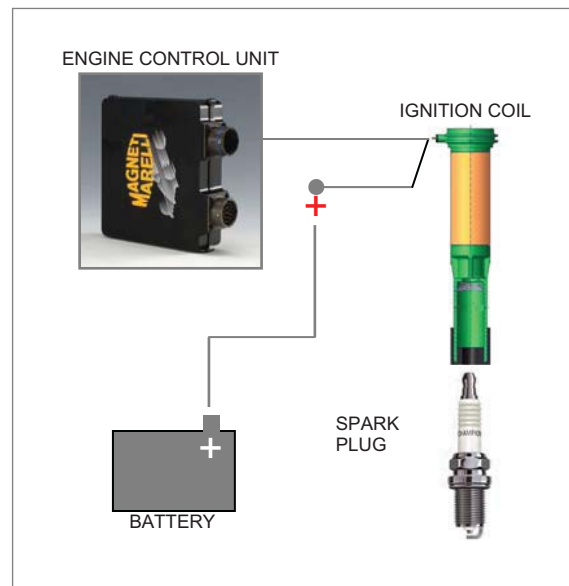


Dimensions in millimetres

Technical Characteristics

| | |
|---|----------|
| Nominal supply voltage..... | 13.5 V |
| Charge current..... | 21 A |
| Dwell..... | 370 µs |
| Rise time..... | < 3.5 µs |
| Sec. Voltage (1 MΩ +20 pF load)..... | 27 kV |
| Spark duration..... | 245 µs |
| Combustion energy..... | 23 mJ |
| Min. coil length (min. 83 mm working point)..... | 115 mm |
| Max. coil length (max. 107.5 mm working point)..... | 140 mm |
| Weight..... | 100 g |

Application Schematics



For further information, please contact:

Ø 19.5-083805114100



JMR Motorsport s.c - Carrer E Nº.7 - Pol- Ind.
Pont Xetmar - Cornellà del Terri - GIRONA-
Tlf. +34 972 59 52 34 email: info@jmr-motorsport.com

November 2007
rel. 05
page 2 of 2