

ALTERNATORS

A115I/120A

Wound field alternator
13.5 V - 120 A

Description

A light weight high output alternator for rally cars.

Rewound stator.

Upgraded rectifier bridge to deal with extra power.

Sealed high speed & quality bearings.

Stiffer brush springs for harsh vibrational environment.

Contact factory for availability of other bracket configurations.

Main Features

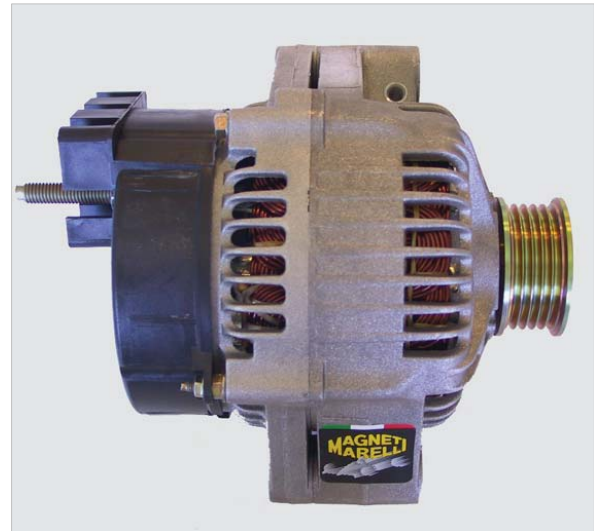
- 120 A output
- 18000 rpm max speed
- Clockwise rotation
- < 5 Kg weight

Benefits

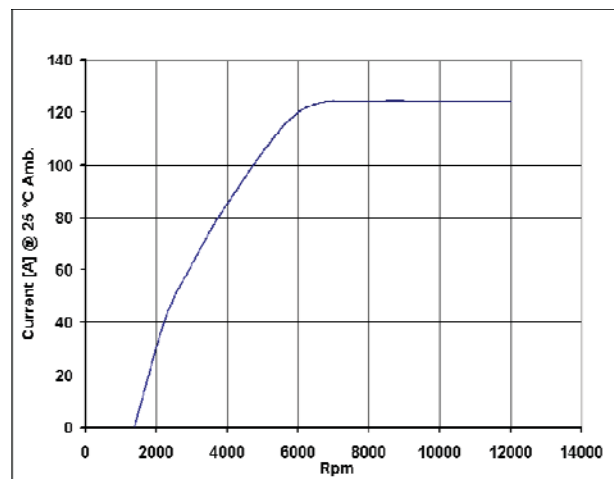
- High output to weight ratio
- Integral voltage regulator

Typical Applications

Professional circuit and rally applications



Typical Performance

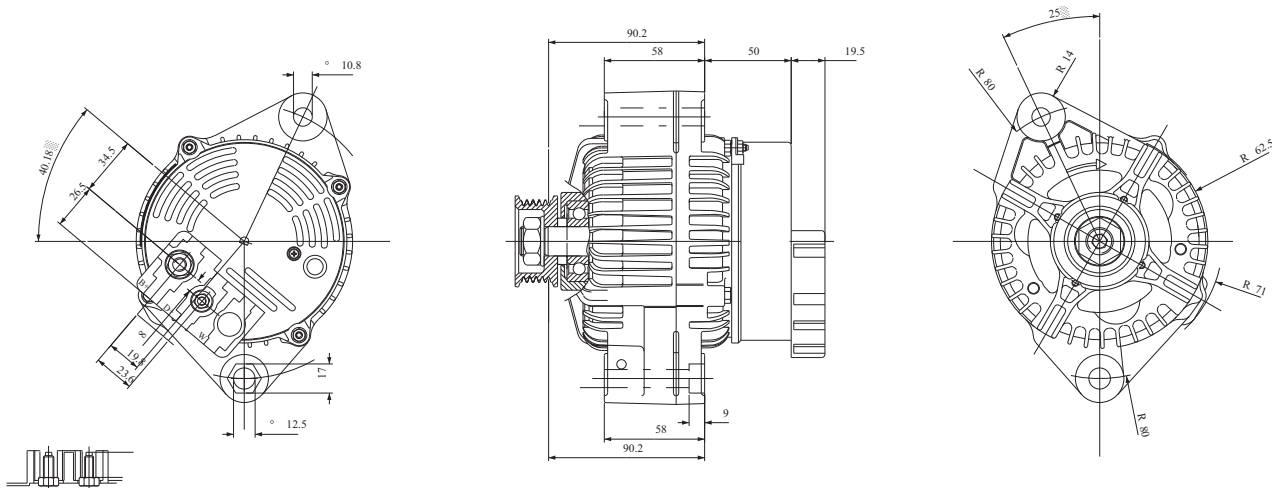


ALTERNATORS

A115I/120A

Wound field alternator
13.5 V - 120 A

Dimensions



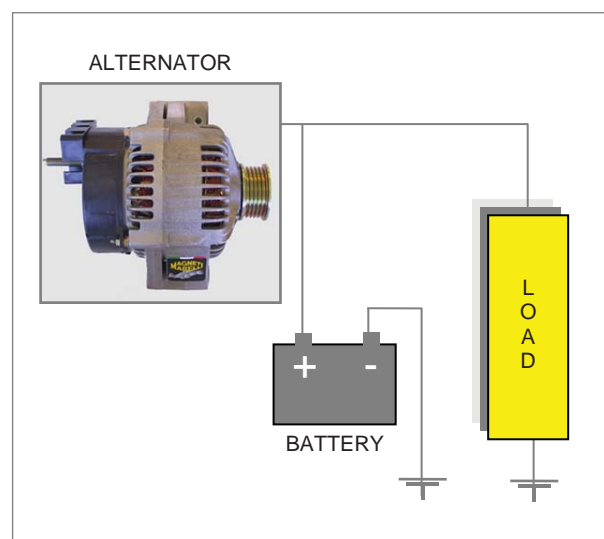
B= Terminal M6x1
D= Terminal M5x0.8

Dimensions in millimetres

Technical Characteristics

Cut in speed.....	1400	rpm
Maximum speed.....	18000	rpm
Rotation.....	Clockwise only	
Operating temperature (ambient).....	Up to 90	°C
Regulated voltage.....	13.5	V
Weight.....	4.8	Kg

Application Schematics



For further information, please contact:



Magneti Marelli Holding S.p.A.
Motorsport
Viale Aldo Borletti, 61/63
20011 Corbetta (Milano) Italy

Tel. +39 02 972 27 478
Fax +39 02 972 27 570
sales@magnetimarelli.com
http://www.magnetimarelli.com

November 2007
rel. 04
page 2 of 2

A115I/120A-083801035200