

A115I/180A

Wound field alternator
13.5 V - 180 A

Description

A light weight ultra high output alternator for rally and rally-raid application.

Standard features are: rewound stator, upgraded rectifier bridge, reinforced brush holder springs.

Sealed bearings with HT grease.

A custom heat sink is fitted to deal with the extra power on rectifier bridge.

Contact factory for availability of other bracket configurations.

Main Features

- 180 A output
- 18000 rpm max speed
- Clockwise rotation
- < 5 Kg weight

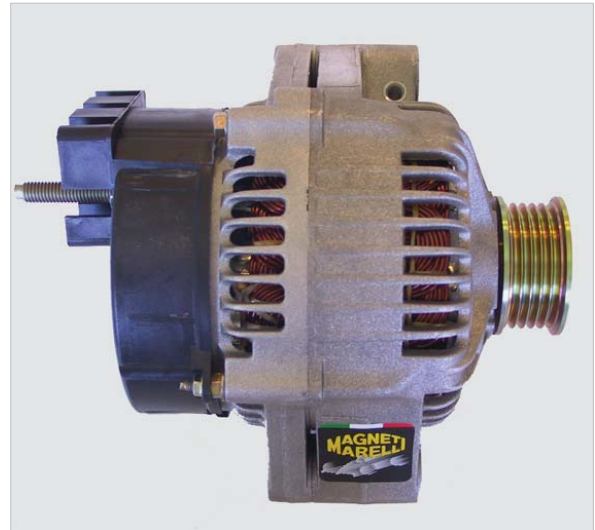
Benefits

- High output to weight ratio
- Integral voltage regulator

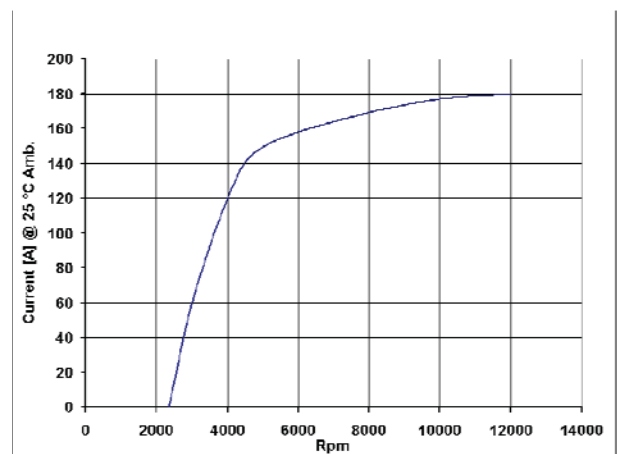
Typical Applications

Professional circuit and rally applications

Rally-raid



Typical Performance

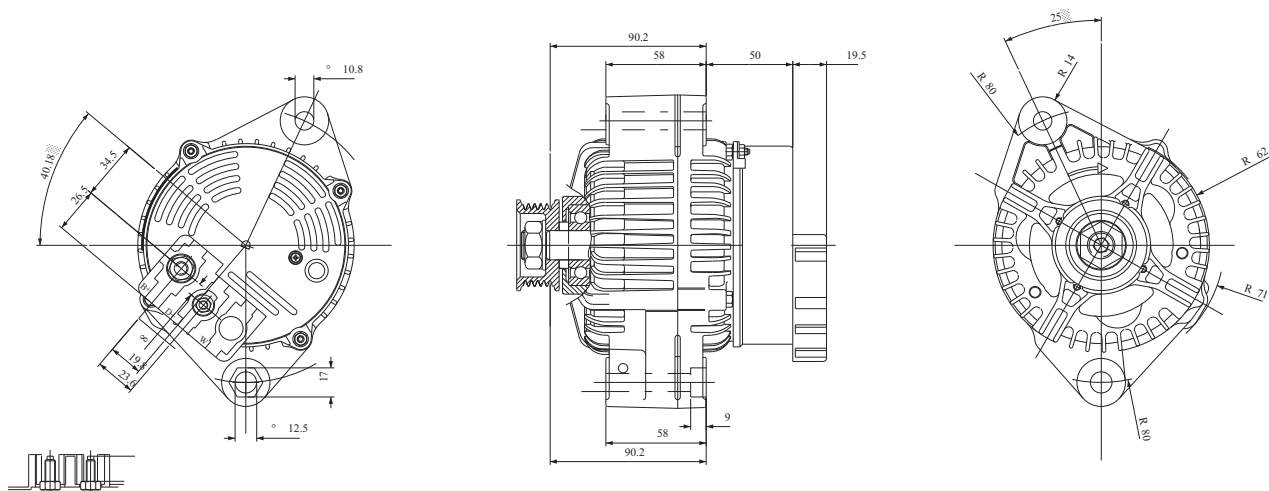


ALTERNATORS

A115I/180A

Wound field alternator
13.5 V - 180 A

Dimensions



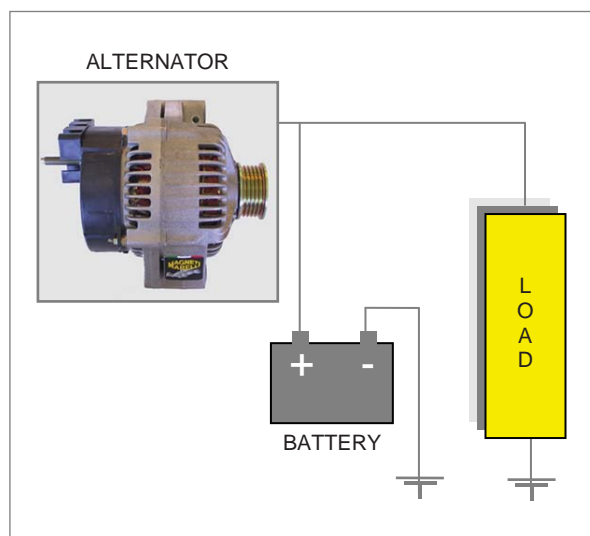
B+ Terminal M6x1
D+ Terminal M5x0.8

Dimensions in millimetres

Technical Characteristics

Cut in speed.....	2400	rpm
Maximum speed.....	18000	rpm
Rotation.....	Clockwise only	
Operating temperature (ambient).....	Up to 90	°C
Regulated voltage.....	13.5	V
Weight.....	4.9	Kg

Application Schematics



For further information, please contact:



Magneti Marelli Holding S.p.A.
Motorsport
Viale Aldo Borletti, 61/63
20011 Corbetta (Milano) Italy

Tel. +39 02 972 27 478
Fax +39 02 972 27 570
sales@magnetimarelli.com
http://www.magnetimarelli.com

November 2007
rel. 04
page 2 of 2

A115I/180A-083801036800