

A45 L

Permanent magnet alternator
13.5 V - Up to 20 A

Description

A lightweight permanent magnet alternator for formula1 and top motorcycle applications.

Rare earth magnets and aircraft quality stator laminations allow maximum output with minimum size.

Machined housing and military grade stator winding allow maximum reliability even at temperatures above 100 °C.

Contact factory for suitable voltage regulators and for higher output current.



Main Features

- Up to 20 A output
- 19000 rpm max speed
- Clockwise and counterclockwise rotation
- 750 g weight

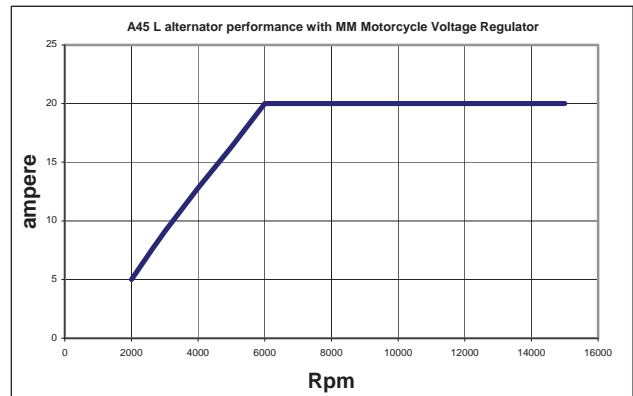
Benefits

- High output to weight ratio
- High resistance to vibrations
- No electronics on alternator

Typical Applications

- MotoGP
- Race motorcycle application

Typical Performance

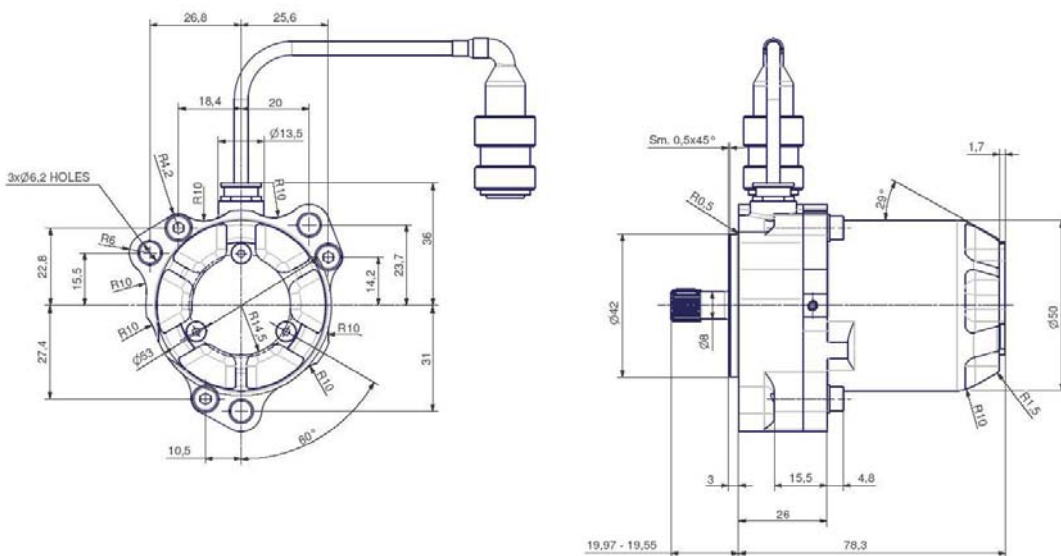


ALTERNATORS

A45 L

Permanent magnet alternator
13.5 V - Up to 20 A

Dimensions



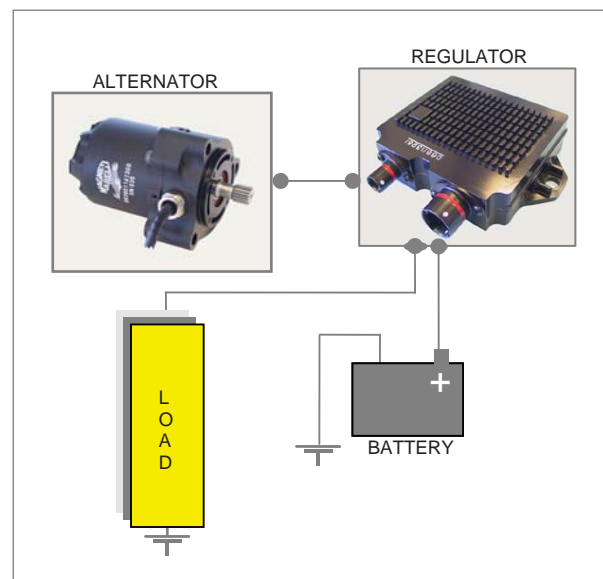
Dimensions in millimetres

Technical Characteristics

Cut in speed.....	2000	rpm
Maximum alternator speed	19000	rpm
Rotation.....	Clockwise or counterclockwise	
Operating temperature max.		
copper.....	200	°C
bearings.....	150	°C
Regulated voltage	13.5	V
Connector Type (*).....	AS6.08-98SN	
Cable length (*).....	500	mm
Weight (approx.)	750	g

(*) Different cable length and connector type are available on customer request

Application Schematics



For further information, please contact:

A45 L-083801161300



JMR Motorsport s.c - Carrer E Nº.7 - Pol. Ind.
Pont Xetmar - Cornellà del Terri - GIRONA-
Tlf. +34 972 59 52 34 email: info@jmr-motorsport.com

October 2007
rel. 07
page 2 of 2