

A93/40A

Wound field alternator
13.5 V - 40 A

Description

A compact alternator for sport cars.

Rewound stator with flexible connections to bridge.

Upgraded and ruggedized rectifier bridge to deal with harsh vibrational environment.

Sealed high speed & quality bearings.

Stiffer brush springs for harsh vibrational environment.

Brackets modified to prevent stator rotation.

The rear bracket can be supplied as shown or rotated by increments of 90°.*

Connection by spade connector or dedicated loom.*

* Contact factory for these options.



Main Features

- 40 A output
- 18000 rpm max speed
- Clockwise rotation
- 2.6 Kg weight

Benefits

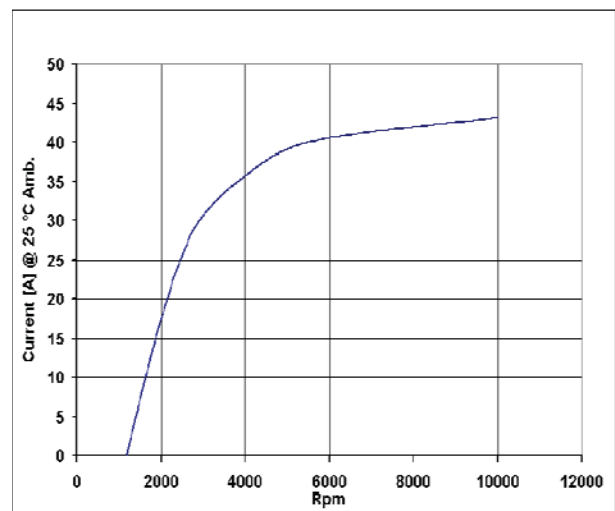
- High output to weight ratio
- Integral voltage regulator

Typical Applications

Touring car

Single seaters

Typical Performance

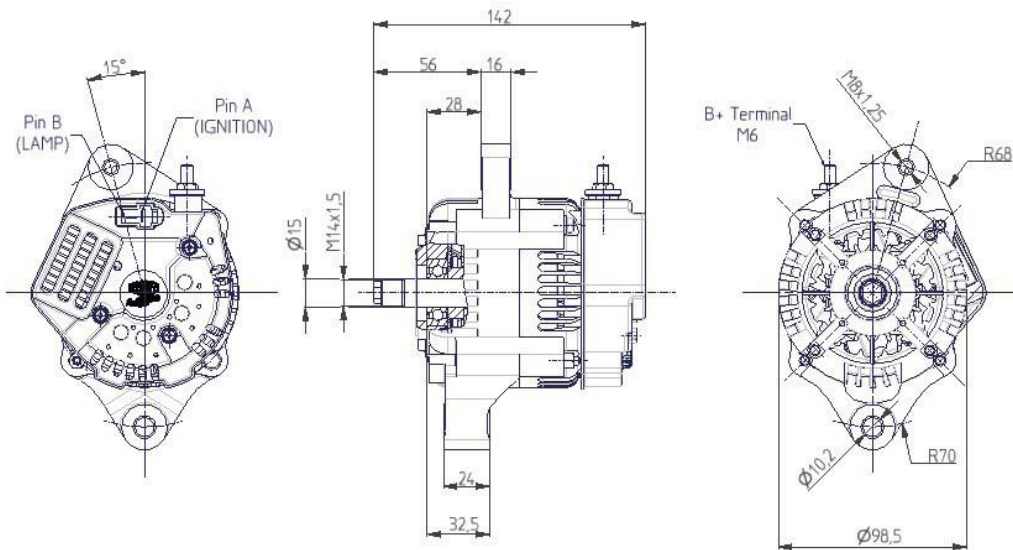


ALTERNATORS

A93/40A

Wound field alternator
13.5 V - 40 A

Dimensions

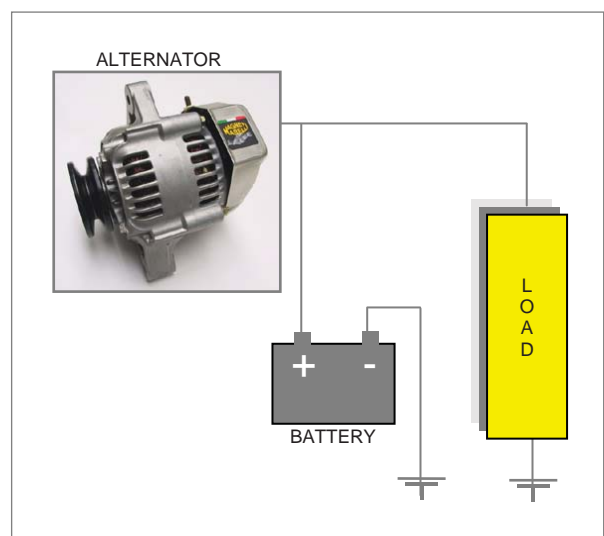


Dimensions in millimetres

Technical Characteristics

Cut in speed.....	1150	rpm
Maximum speed.....	18000	rpm
Rotation.....	Clockwise only	
Operating temperature (ambient).....	Up to 90	°C
Regulated voltage.....	13.5	V
Weight.....	2.6	Kg

Application Schematics



For further information, please contact:

A93/40A-083801093500



JMR Motorsport s.c - Carrer E Nº.7 - Pol. Ind.
Pont Xetmar - Cornellà del Terri - GIRONA-
Tlf. +34 972 59 52 34 email: info@jmr-motorsport.com

November 2007
rel. 05
page 2 of 2