

## A93/90A

Wound field alternator  
13.5 V - 90 A

### Description

A compact alternator for sport cars.

Rewound stator with flexible connections to bridge.

Upgraded and ruggedized rectifier bridge to deal with extra power and harsh vibrational environment.

Sealed high speed & quality bearings.

Stiffer brush springs for harsh vibrational environment.

Brackets modified to prevent stator rotation.

The rear bracket can be supplied as shown or rotated by increments of 90°.\*

Connection by spade connector or dedicated loom.\*

\* Contact factory for these options.



### Main Features

- 90 A output
- 18000 rpm max speed
- Clockwise rotation
- 2.6 Kg weight

### Benefits

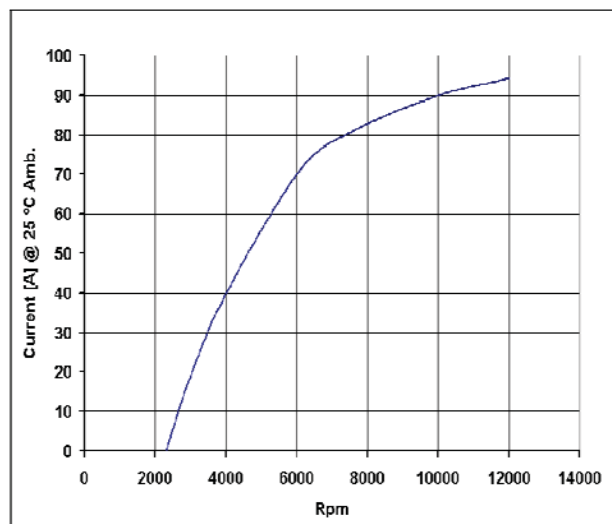
- High output to weight ratio
- Integral voltage regulator

### Typical Applications

Touring car

Rally car

### Typical Performance

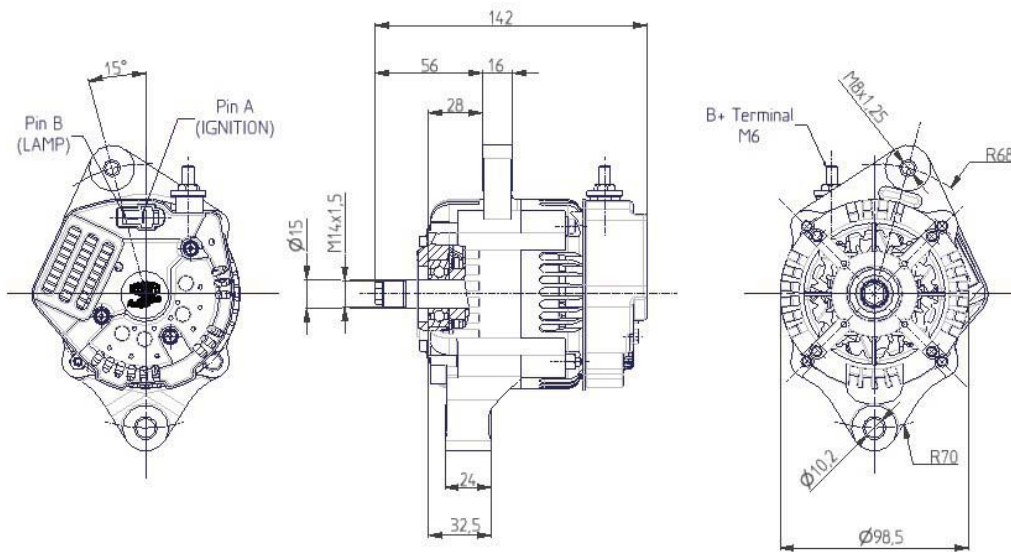


# ALTERNATORS

## A93/90A

Wound field alternator  
13.5 V - 90 A

### Dimensions

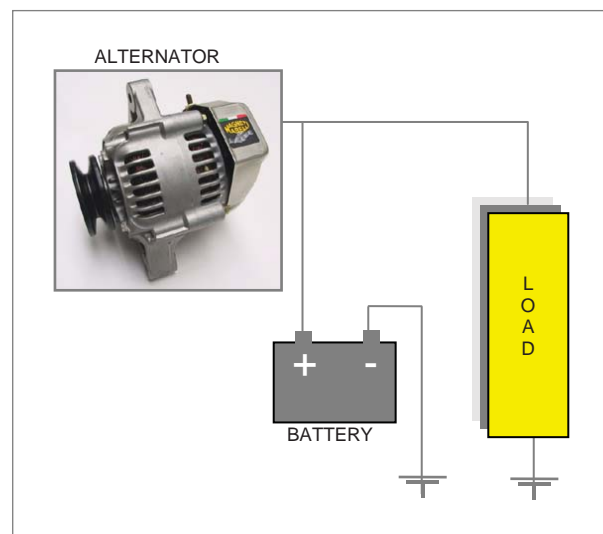


Dimensions in millimetres

### Technical Characteristics

Cut in speed.....	2400	rpm
Maximum speed.....	18000	rpm
Rotation.....	Clockwise only	
Operating temperature (ambient).....	Up to 90	°C
Regulated voltage.....	13.5	V
Weight.....	2.6	Kg

### Application Schematics



For further information, please contact:

A93/90A-050370431000



JMR Motorsport s.c - Carrer E Nº.7 - Pol. Ind.  
Pont Xetmar - Cornellà del Terri - GIRONA-  
Tlf. +34 972 59 52 34 email: info@jmr-motorsport.com

November 2007  
rel. 05  
page 2 of 2