

FLP 004

Fuel lift pump
90 L/h @ 50 kPa

Description

A compact lightweight low pressure fuel pump for catchtank filling.

A rugged dc motor allows reliable operation with limited current absorption.

Main Features

- The pump has a NRV valve to prevent catchtank emptying
- Special design and surface treatment of moving parts allow reliable operation also with partially empty tank

Benefits

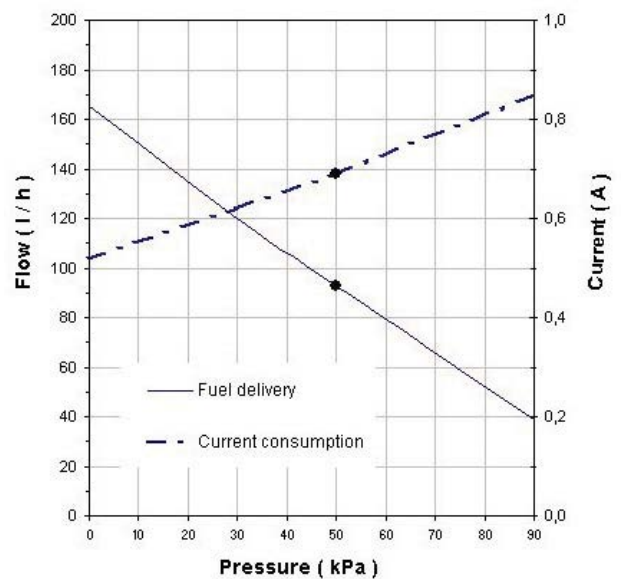
- Self priming
- Fuel delivery capability up to 300 Hp
- Customizable inlet and outlet ports
- Dry operation possible without damage

Typical Applications

Race motorcycle application



Typical Performance at 13.6 V



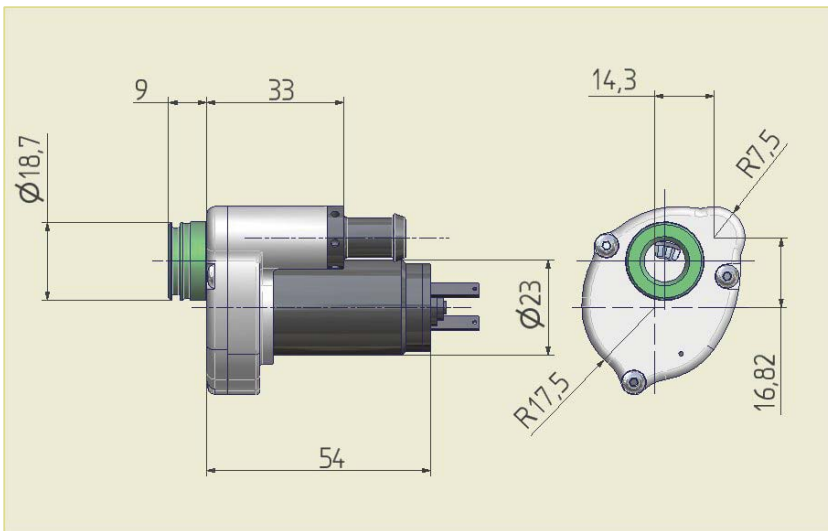
(Test fluid Metryl 421)

PUMPS

FLP 004

Fuel lift pump
90 L/h @ 50 kPa

Dimensions

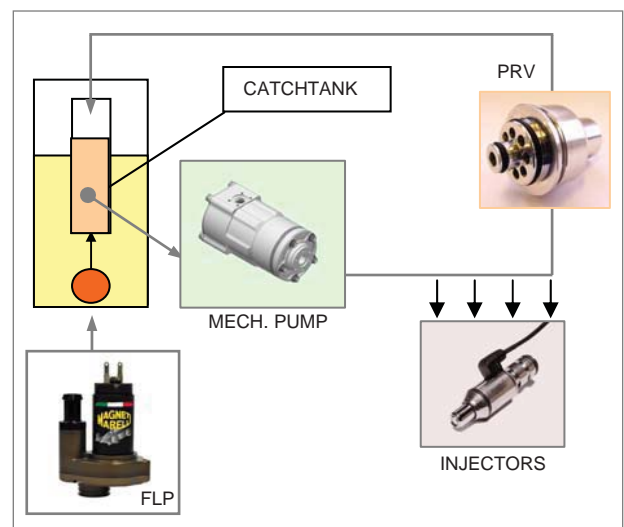


Dimensions in millimetres

Technical Characteristics

Fuel delivery (@ 50 kPa)	90 L/h
Nominal supply voltage	13.6 V
Current consumption (@ 50 kPa)	0.7 A
Weight	160 g

Application Schematics



For further information, please contact:



JMR Motorsport s.c - Carrer E Nº.7 - Pol. Ind.
Pont Xetmar - Cornellà del Terri - GIRONA-
Tlf. +34 972 59 52 34 email: info@jmr-motorsport.com

November 2007
rel. 05
page 2 of 2