

IWPR

Pico Racing Fuel Injector
Up to 1.0 MPa - Up to 1.0 L/min

Description

IWPR injector has been developed to meet the market requirements for a cheap and reliable injector for medium & low level race injection systems.

It is available in the basic configuration, customized in spray shape and in fuel flow and selected in narrow precision classes.

Main Features

- Delivery pressure range 0.3 to 0.8 MPa
(Up to 1.0 MPa with supply voltage > 10 V)
- Static flow range 0.15 to 1.0 L/min
- Driver current 0.8 A

Benefits

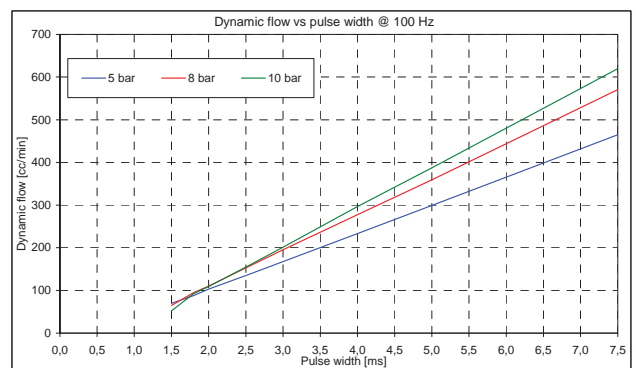
- Multihole spray shaping
- Under request, custom spray configuration can be studied
- On/Off driven
- High precision
- Can be used also with methanol
- Small dimension & weight

Typical Applications

In circuit and rallies medium & low level application
Race motorcycle application



Typical Performance



INJECTORS

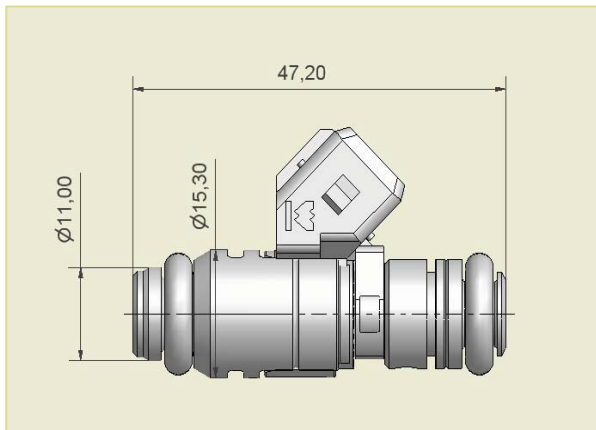
IWPR

Pico Racing Fuel Injector
Up to 1.0 MPa - Up to 1.0 L/min

Technical Characteristics

Delivery pressure range.....	0.3 to 0.8	MPa
(Up to 1 MPa with supply voltage > 8 V)		
Static flow range	0.15 to 1.0	L/min
Driver current	0.8	A
Single Jet bent angle	0° to 15°	
Power supply	8 to 16	V
Operating temperature range.....	-20 to 120	°C
Connector type.....	AMP Junior 2 ways minitimer	
Weight.....	35	g

Application Schematics



Dimensions in millimetres

Injector	IWPR1	IWPR2	IWPR3	IWPR4	IWPR5	IWPR6	
Nominal pressure	1000	1000	1000	1000	1000	1000	kPa
Static flow rate	690	935	740	1005	485	1160	cm ³ /min
Spray shape	Single spray	Single spray	Single spray	Twin jet	Helliptical cone	Single spray	

Note: flow rate in n-heptane

For further information, please contact:

IWPR-0838XXXXXXXX00



JMR Motorsport s.c - Carrer E Nº.7 - Pol. Ind.
Pont Xetmar - Cornellà del Terri - GIRONA-
Tlf. +34 972 59 52 34 email: info@jmr-motorsport.com

October 2007
rel. 06
page 2 of 2

Dimensions

