

# MRA23

Voltage regulator

### Description

The MRA23 is a compact lightweight voltage regulator for permanent magnet alternators.

The design concept allows cool and safe operation of the alternator with a stable and smooth output.

The device has an analogue output voltage "Ireg" individually calibrated, proportional to the output current. A PT1000 output is also available to monitor operating temperature and optimise cooling.

\* Contact factory for suitable matching alternator.

### Main Features

- Measure of output current available
- Objective check of installation possible (PT1000)

### Benefits

- Low weight
- Small outline



### Typical Applications

MotoGP

SBK

Race motorcycle application

# VOLTAGE REGULATORS

## MRA23

Voltage regulator

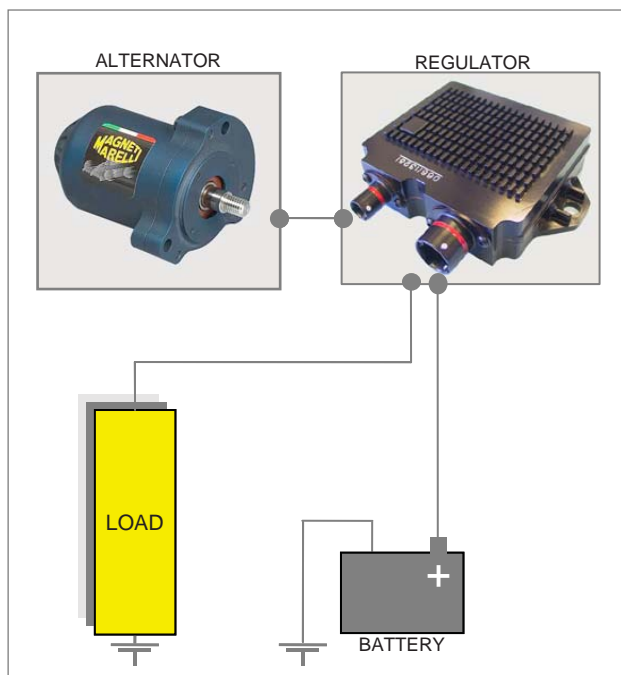
### Technical Characteristics

Maximum output .....	20	A*
Output voltage.....	13.8	V**
Output voltage ripple.....	< 1	%
Operating temperature.....	* see note below	
Weight (approx.) .....	350	g

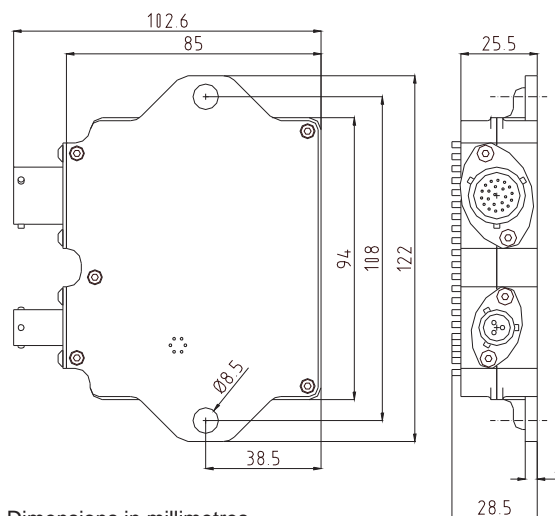
\*Only with the regulator well ventilated in order to keep the PT1000 temperature signal lower than 65 °C

\*\*Contact factory for different output voltage

### Application Schematics



### Dimensions



Dimensions in millimetres

For further information, please contact:



JMR Motorsport s.c - Carrer E Nº.7 - Pol. Ind.  
Pont Xetmar - Cornellà del Terri - GIRONA-  
Tlf. +34 972 59 52 34 email: info@jmr-motorsport.com

November 2007  
rel. 04  
page 2 of 2