

## NTC

2252  $\Omega$  Air-fluid temperature sensor

### Description

A miniature sensor designed for fast response temperature measurement.

Suitable for air, water, oil & fuel temperature measurement.

### Main Features

- AISI 316 housing for improved mechanical strength
- Splash resistant to standard motorsport fluids
- Miniature tip
- High strength teflon coated leads

### Benefits

- High signal level
- Little dimensions
- Low weight



### Typical Applications

Racing engines

### Temperature resistance table

NTC 2252  $\Omega$

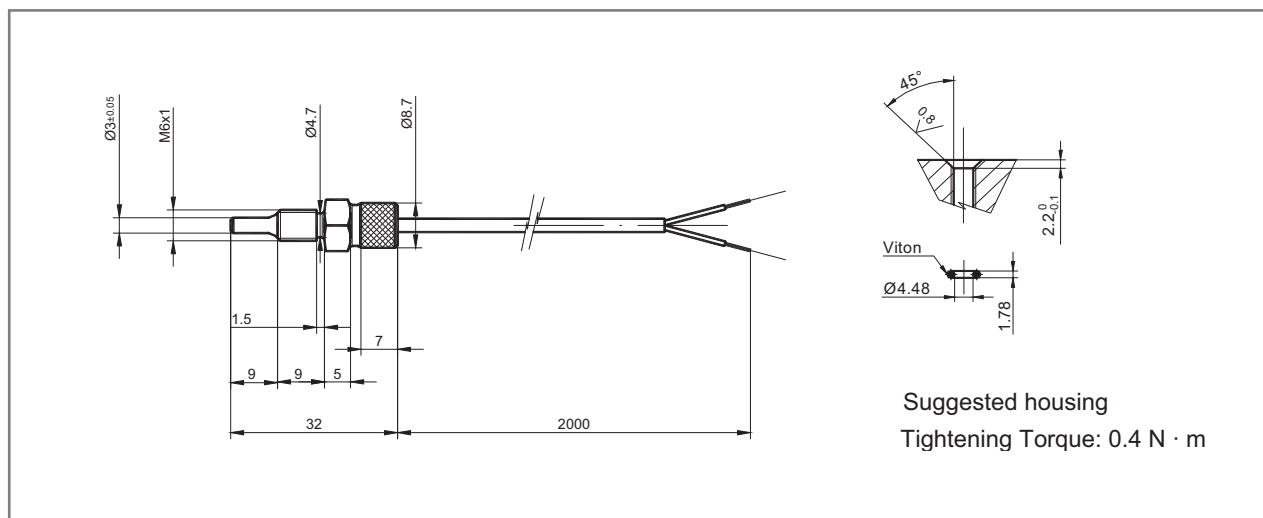
Temp. °C	Rt/R25	Temp. °C	Rt/R25	Temp. °C	Rt/R25
10	1.99000	50	0.36020	100	0.06792
20	1.24900	60	0.24880	110	0.05108
25	1.00000	70	0.17510	120	0.03894
30	0.80580	80	0.12560	130	0.03006
40	0.53260	90	0.09164	140	0.02348

# SENSORS

## NTC

2252  $\Omega$  Air-fluid temperature sensor

### Dimensions

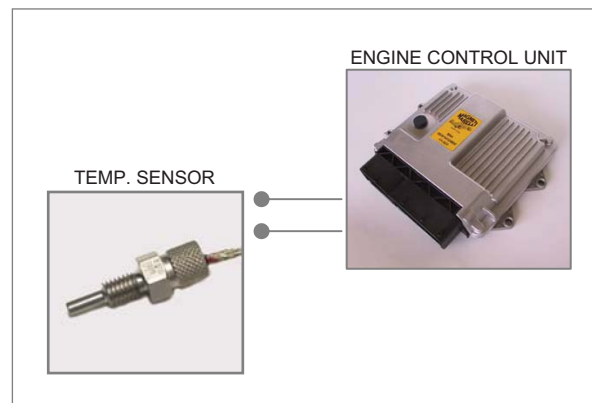


Dimensions in millimetres

### Technical Characteristics

Typical application .....Air, oil, water and fuel temp.  
Temperature range ..... -20 to 150 °C  
Weight..... 35.5 g

### Application Schematics



For further information, please contact:

NTC-083813067600



**Magneti Marelli Holding S.p.A.**  
Motorsport  
Viale Aldo Borletti, 61/63  
20011 Corbetta (Milano) Italy

Tel. +39 02 972 27 478  
Fax +39 02 972 27 570  
sales@magnetimarelli.com  
http://www.magnetimarelli.com

November 2007  
rel. 05  
page 2 of 2