

OPS04

Hydraulic pressure transducers
0.1 to 8.1 MPa

Description

The OPS04 device is a reliable analogue gauge pressure sensor with fluorosilicone seal.

Integral signal conditioning electronics incorporating a custom designed integrated circuit provide an accurate, stable signal over a wide operating temperature range (-40 to 135°C).

Main Features

- Active devices are housed in hermetically sealed plastic protective casing
- Compatible with most fluids in pressure-based standard motorsport systems
- Compact design

Benefits

- Low cost
- High reliability



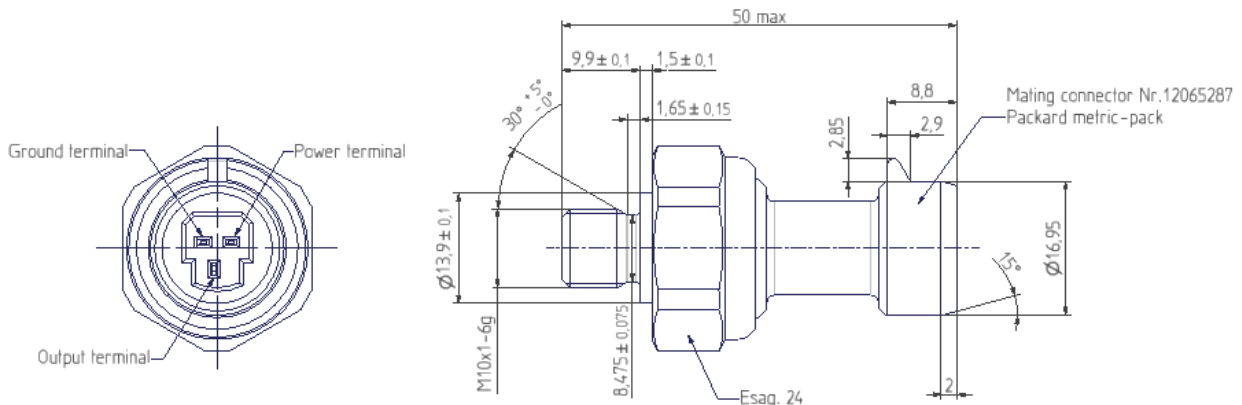
Typical Applications

Fluids measure

OPS04

Hydraulic pressure transducers
0.1 to 8.1 MPa

Dimensions



Dimensions in millimetres

Technical Characteristics

Power supply (± 0.5 V).....	5	V
Supply current (@ 5 V)	< 10	mA
Null offset (5 V)	0.5	V
Full scale output (5 V).....	4.5	V
Pressure ranges.....	0.1 to 8.1	MPa
Operating temperature range.....	-40 to 130	°C
Response time.....	less than 10	ms
Accuracy (including non-linearity, hysteresis and repeatability)	2	% f.s.o
Burst pressure.....	15	MPa
Weight.....	40	g

For further information, please contact:

OPS04-083813074600



JMR Motorsport s.c - Carrer E Nº.7 - Pol- Ind.
Pont Xetmar - Cornellà del Terri - GIRONA-
Tlf. +34 972 59 52 34 email: info@jmr-motorsport.com

November 2007
rel. 05
page 2 of 2